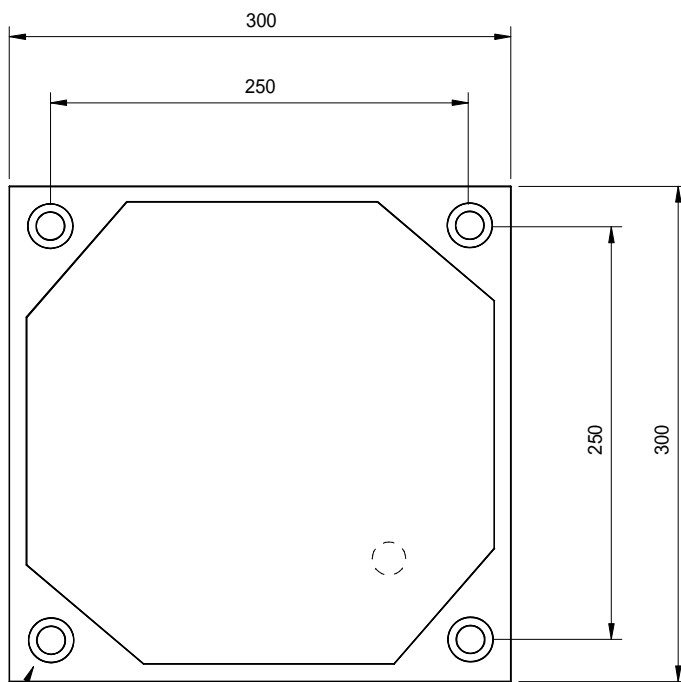
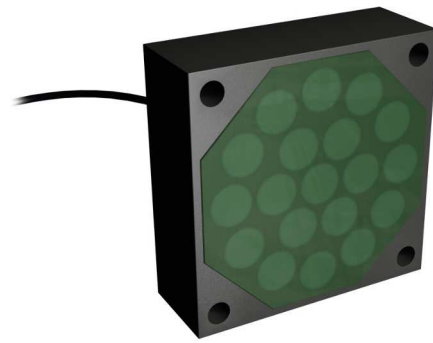
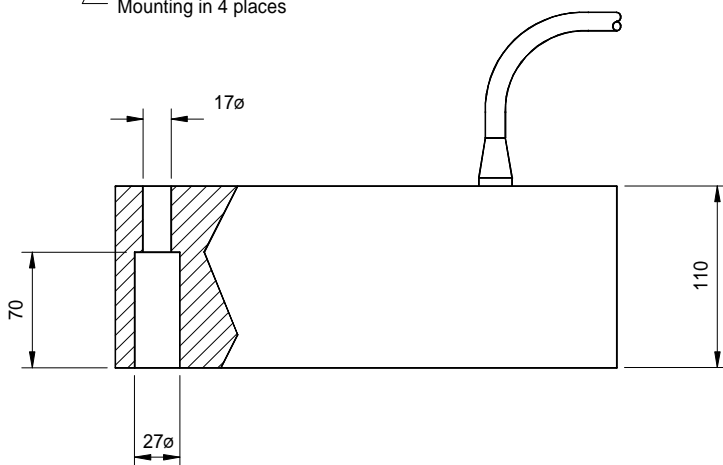


- 5 FREQUENCY OPTIONS
- DUAL BEAM
- LONG RANGE ECHO SOUNDING
- GROUND DISCRIMINATION OPTION
- HIGH PERFORMANCE
- LOW COST



Mounting in 4 places



All dimensions in mm

Available in five different frequencies the design has nineteen piston elements arranged in three concentric rings to provide a high performance, dual beam Transducer.

Continuing the company's successful policy of offering transducers with a choice of frequencies the I53 SERIES gives the customer maximum flexibility with minimum cost.

The design is also available as a single narrow beam transducer.

The versatility of the design is further enhanced with the option of a ground discriminating 'GD' feature where additional knowledge of the sea floor texture is important.

MODEL I53 SERIES

Dual Beam Transducers

Technical Specification

Frequency Options	24	28	30	33	38	kHz
Beam Angle Wide (-3dB)	23	19	18	16.5	14	Degrees Conical
Beam Angle Narrow (-3dB)	14.5	12	11	10	9	Degrees Conical
Transmit Sensitivity Wide	167	168	168	167	165	dB re uPa/V @ 1m
Transmit Sensitivity Narrow	170	171	171	170	171	dB re uPa/V @ 1m
Receive Sensitivity	-164	-166	-167	-168	-169	dB re V/uPa
Input Power	5000	5000	5000	5000	5000	Watts
Bandwidth	2.8	3.5	3.0	3.5	3.5	kHz
Nominal Impedance	75	100	100	100	100	Ohms

Transducer impedance can be adjusted to suit customers specification

Cable Length	10 Metres Standard (Additional lengths supplied to order)
Cable Type	Polyurethane Ø12mm 4 Core Screened
Storage Temperature	-40 to +80 °C
Operating Temperature	-5 to +70 °C

Data illustrated is taken from actual in-water measurements