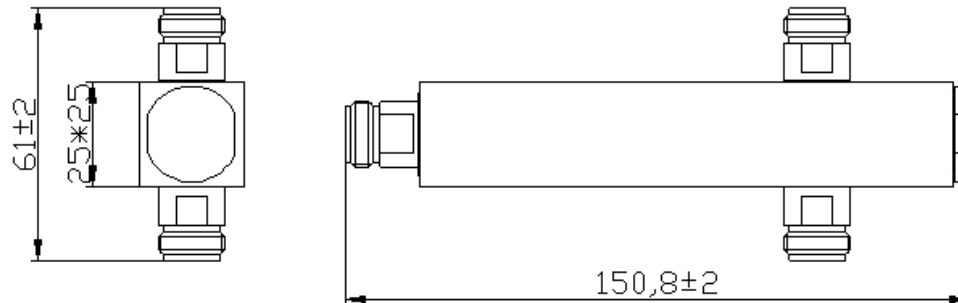
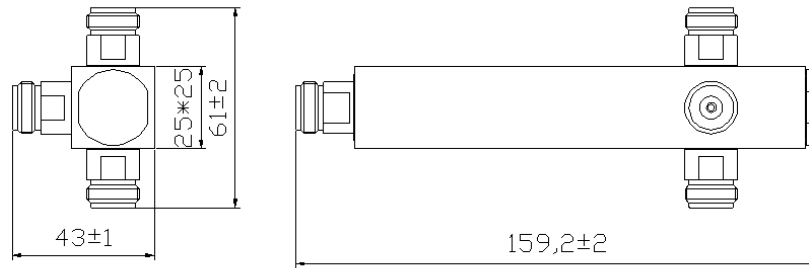


High power Splitter Specification

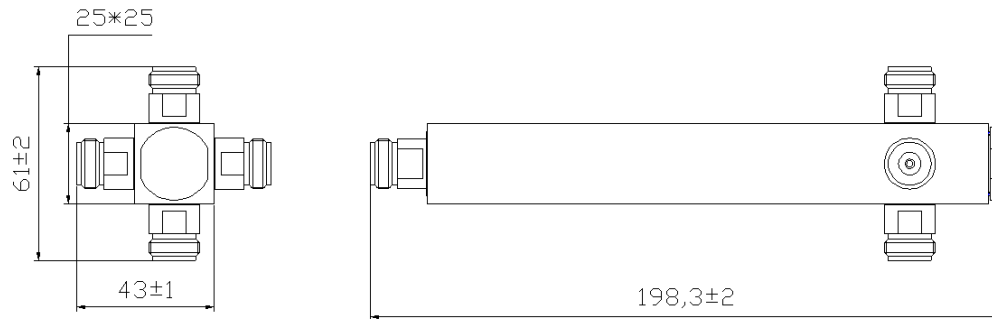
	2 Way	3 Way	4 Way
PN	SP2-727-NF SP2-727-DF SP2-727-MF	SP3-727-NF SP3-727-DF SP3-727-MF	SP4-727-NF SP4-727-DF SP4-727-MF
Frequency	698 – 2700 MHz	698 – 2700 MHz	698 – 2700 MHz
Split Loss	3.0 dB	4.8 dB	6.0 dB
Insertion Loss	0.2 dB	0.3 dB	0.3 dB
3rd Order IMD 2X43dBm	- 162dBc	- 162dBc	- 162dBc
Input Return Loss	20.8 dB	20.8 dB	19 dB
Average Power, max	300 W	300 W	300 W
Impedance	50 ohm		
Environment	IP65		
Work temp	-40-75C		
Connector	N(f), DIN(f),4.3/10		



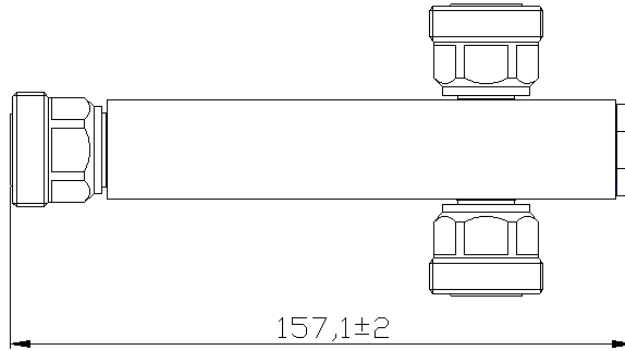
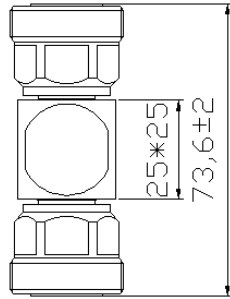
N type 2 Way Splitter



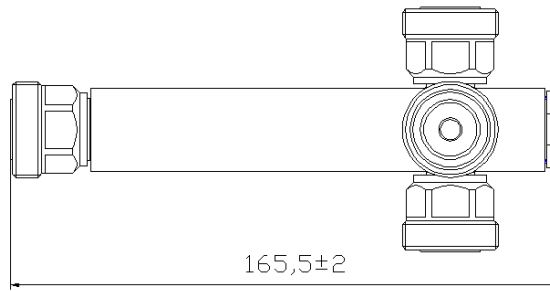
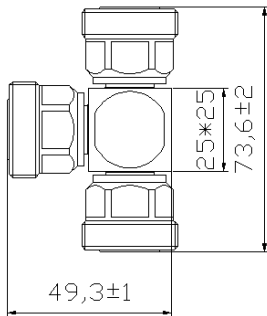
N type 3 Way Splitter



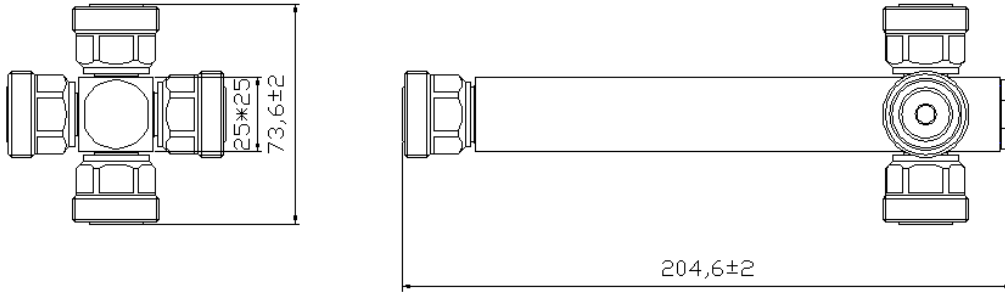
N type 4 Way Splitter



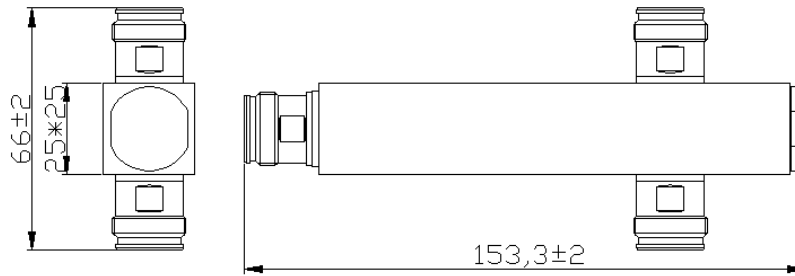
DIN type 2 Way Splitter



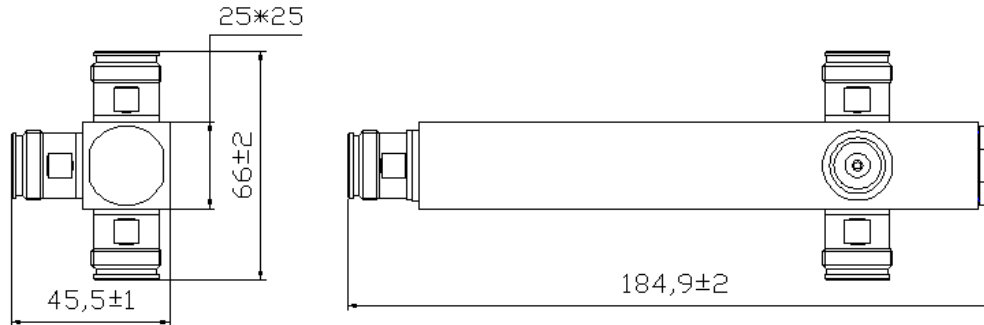
DIN type 3 Way Splitter



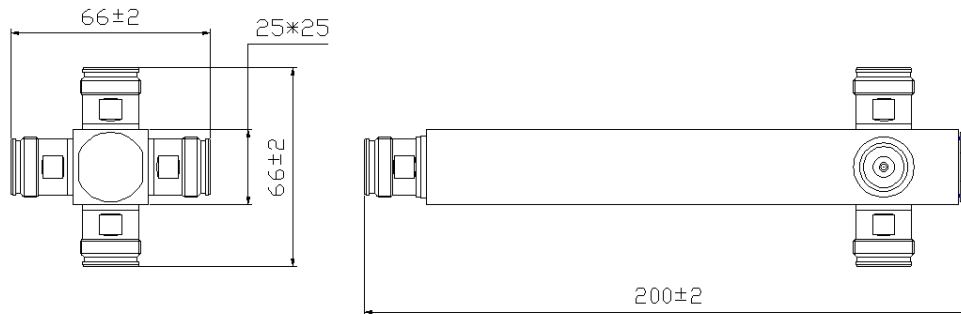
DIN type 4 Way Splitter



4310 type 2 Way Splitter



4310 type 3 Way Splitter



4310 type 4 Way Splitter