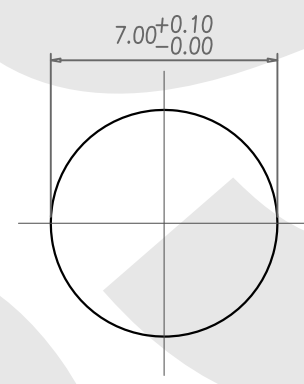
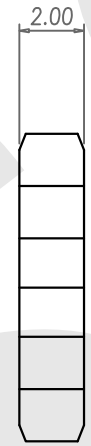
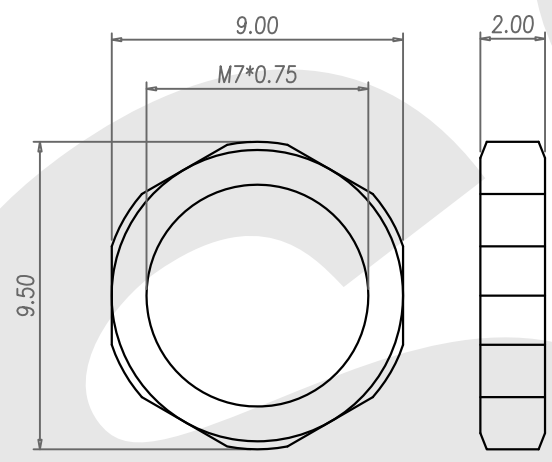
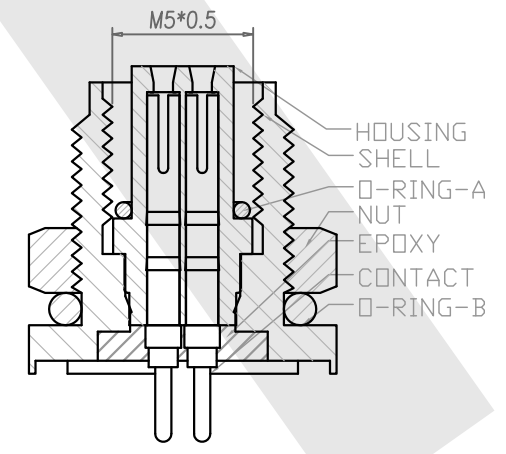
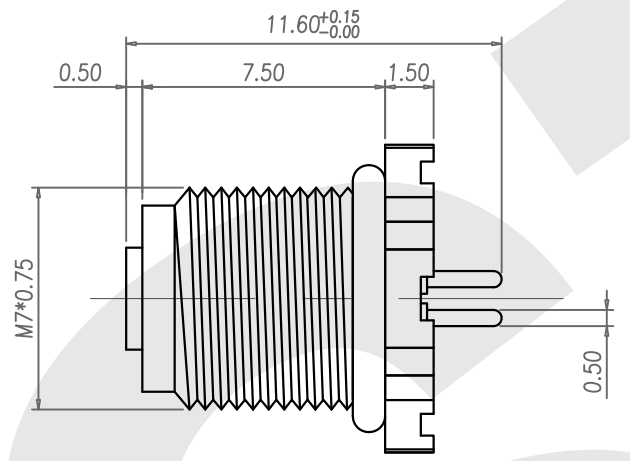
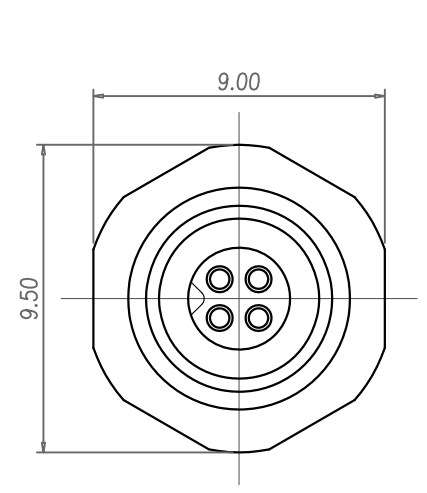


Rev	Revisions	Rev.Drawn	Date
A		Du	30.04.2010



NUT

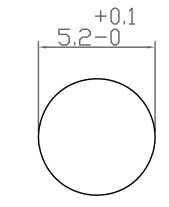
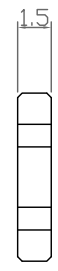
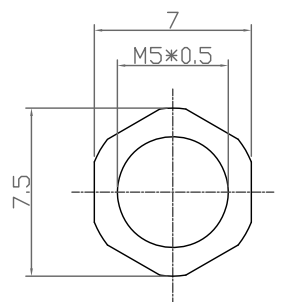
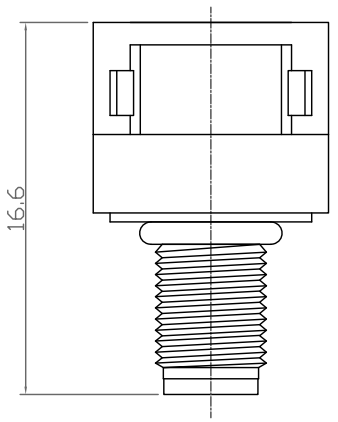
RECOMMEND PANEL CUT-OUT

1. MATERIAL :
 - 1-1. HOUSING : PBT UL94V-0 ; COLOR : BLACK
 - 1-2. CONTACT : PHOSPHOR BRONZE
 - 1-3. NUT : BRASS
 - 1-4. SHELL : BRASS
 - 1-5. O-RING : NBR ; COLOR : BLACK
 - 1-6. EPOXY BASE : EF400A & EF400B. COLOR : BLACK
2. FINISH :
 - 2-1. CONTACT : GOLD FLASH MICRO INCHES MIN.
 - 2-2. NUT : NICKEL PLATED.
 - 2-3. SHELL : NICKEL PLATED.
3. ELECTRICAL SPECIFICATION :
 - 3-1. Rated current : 1A
 - 3-2. Rated Voltage : 60V
 - 3-3. Water proof: IP67
4. Environmental :
 - 4-1. Operation Temperature : -20 °C~85°C

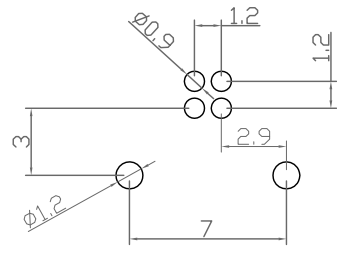
SST SOUTH SEA TERMINAL CO.,LTD

SGS Report No.:	Customer:	Part No.:
		5F4P-B-A-FL-7x0.75-C-D-GF-B-N
Title: M5 FEMALE DIP TYPE FRONT LOCK for BOARD		
Drawn By: Storm.Li	SCALE	SHEET
Checked By: du	1:1	1/1
Approved By: Tony	Thire angle Projection	General Dimension Tolerance
	DWG NO.:	TOLERANCE:
	SST-100430-01	X. ±2MM
		.X ±0.25MM
		.XX ±0.1MM
		.XXX ±0.1MM
	Units	mm

Rev	Revisions	Rev.Drawn	Date
A		Du	31,May,2011
B	增加料號	Du	14,JAN,2015



PANEL CUT-OUT

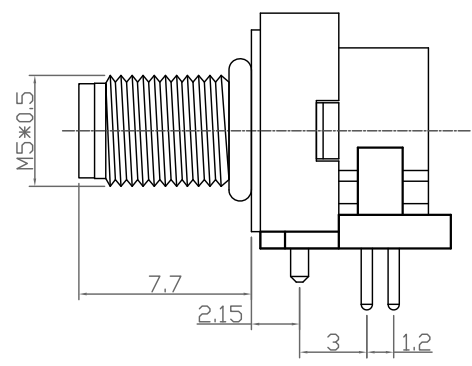
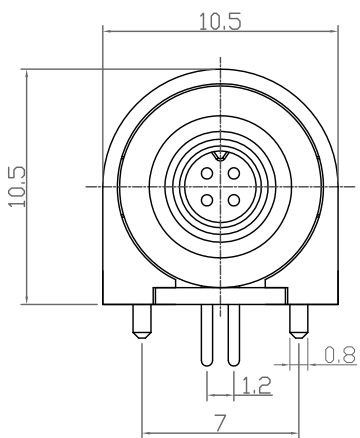


P.C.B LAYOUT

NUT

NOTE:

- MATERIAL :
 - 1-1. HOUSING : PBT UL94V-0 ; COLOR : BLACK
 - 1-2. CONTACT : BRASS
 - 1-3. NUT : BRASS
 - 1-4. O-RING : NBR ; COLOR : BLACK
 - 1-5. BACK HOUSING : PBT UL94V-0 ; COLOR : BLACK
 - 1-6. DOWN HOUSING : PBT UL94V-0 ; COLOR : BLACK
- FINISH :
 - 2-1. CONTACT : GOLD FLASH ON OVER ALL
UNDER PLATE : NICKEL
 - 2-2. NUT : STAIN NICKEL.
- ELECTRICAL SPECIFICATION :
 - 3-1. Rated current : 1A
 - 3-2. Rated Voltage : 60V
 - 3-3. Water proof: IP67
- Environmental :
 - 4-1. Operation Temperature : -20 ℃~85℃



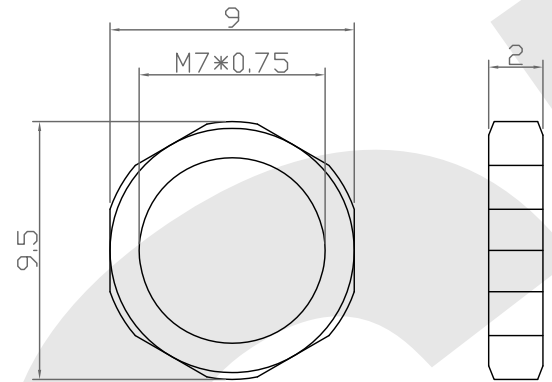
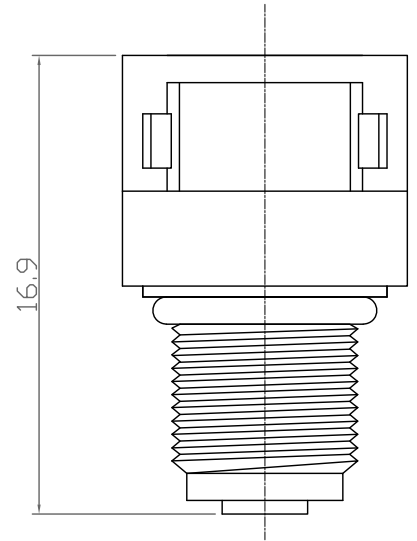
SST P/N

5M2P-B-RA-A-FL-5x0.5-C-D-CF-B-N	5M3P-B-RA-A-FL-5x0.5-C-D-CF-B-N	5M4P-B-RA-A-FL-5x0.5-C-D-CF-B-N

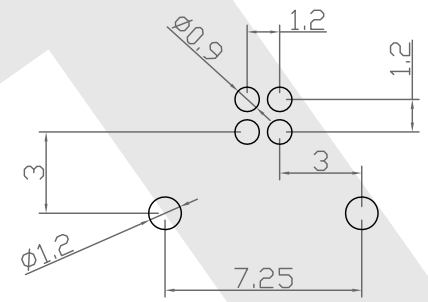
SST SOUTH SEA TERMINAL CO.,LTD

SGS Report No.:	Customer:	Part No.:
		5M2(3,4)P-B-RA-A-FL-5x0.5-C-D-CF-B-N
Title: M5 MALE 90° DIP TYPE for BOARD		
Drawn By: Storm.Li	SCALE	SHEET
Checked By: du	1:1	1/1
Approved By: Tony	REV.	A
	DWG NO.:	/
Third angle Projection		Units mm
General Dimesion Tolerance		
		TOLERANCE
		.x ±0.20
		.xx ±0.10
		.xxx ±0.05
		.xxxx ±0.03
		ANGULA ±1°

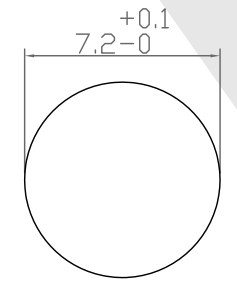
Rev	Revisions	Rev.Drawn	Date
A		Du	31,May,2011



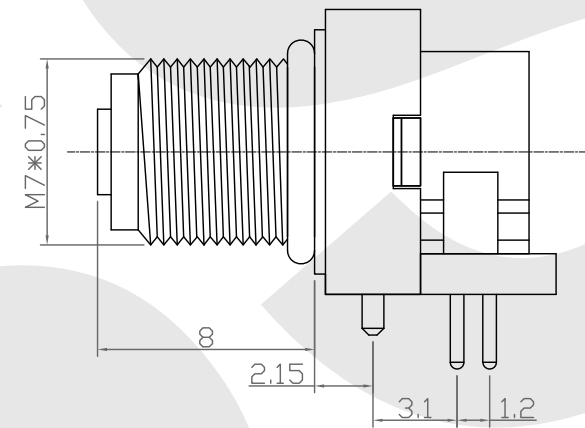
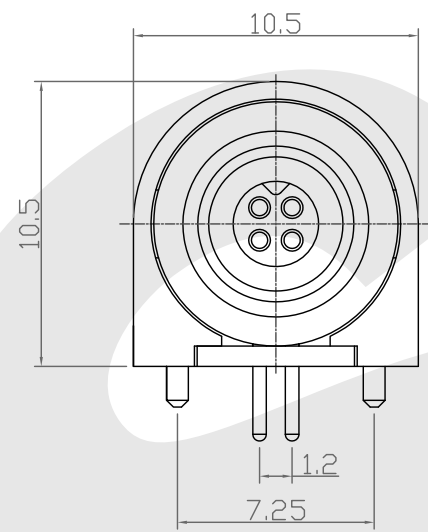
NUT



P.C.B LAYOUT



PANEL CUT-OUT



NOTE:

- MATERIAL :
 - 1-1. HOUSING : PBT UL94V-0 ; COLOR : BLACK
 - 1-2. CONTACT : BRASS
 - 1-3. NUT : BRASS
 - 1-4. SHELL: BRASS
 - 1-5. O-RING : NBR ; COLOR : BLACK
 - 1-6. BACK HOUSING : PBT UL94V-0 ; COLOR : BLACK
 - 1-7. DOWN HOUSING : PBT UL94V-0 ; COLOR : BLACK
- FINISH :
 - 2-1. CONTACT : GOLD FLASH ON OVER ALL UNDER PLATE : NICKEL
 - 2-2. NUT : STAIN NICKEL 80u"~100u" ON OVER ALL
 - 2-3. SHELL : STAIN NICKEL 80u"~100u" ON OVER ALL

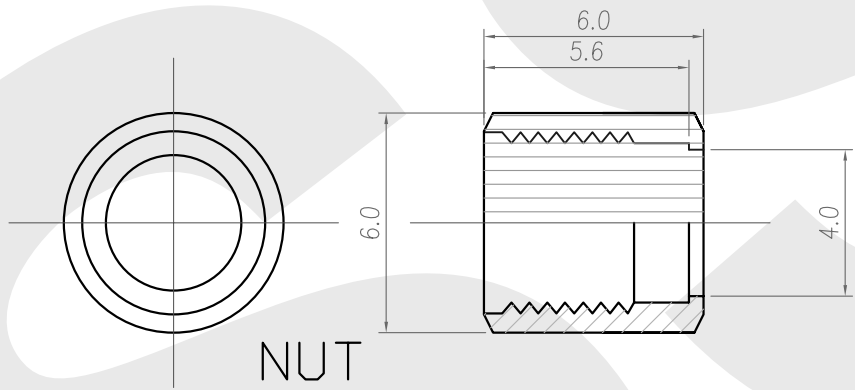
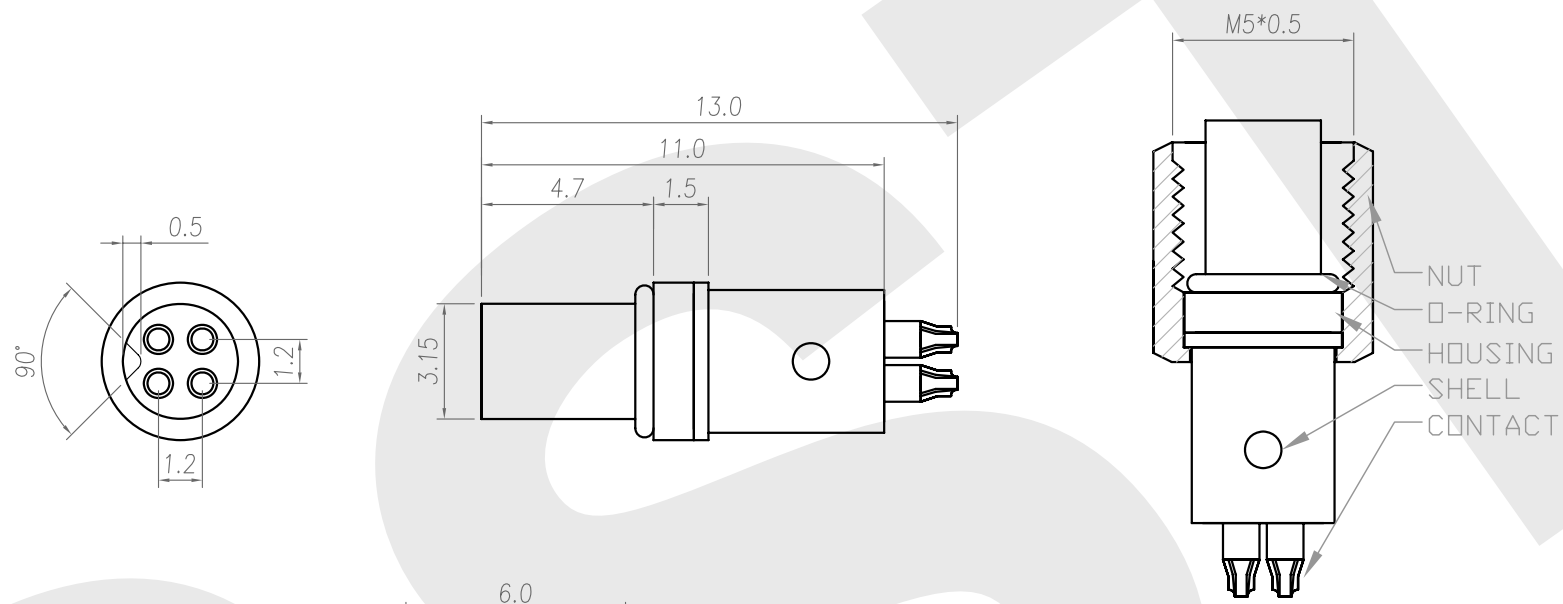
SST SOUTH SEA TERMINAL CO.,LTD

SGS Report No.: Customer: Part No.: 5F4P-B-RA-A-FL-7x0.75-C-D-GF-B-N

Title: M5 FEMALE 90°DIP TYPE FRONT LOCK for BOARD

Drawn By: Storm.Li	SCALE	SHEET	REV.	DWG NO.:	TOLERANCE .x ±0.20 .xx ±0.10 .xxx ±0.05 .xxxx ±0.03 ANGULA ±1°
Checked By: du	1:1	1/1	A	SST-110531-24	
Approved By: Tony	Third angle Projection		Units		mm
	General Dimension Tolerance		mm		

Rev	Revisions	Rev.Drawn	Date
A		Du	06/2010

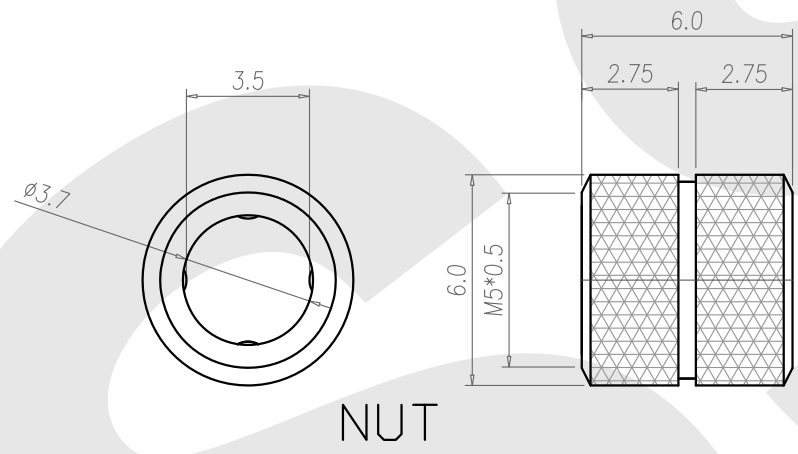
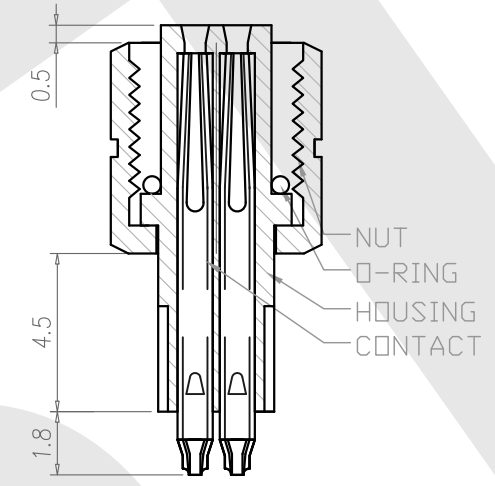
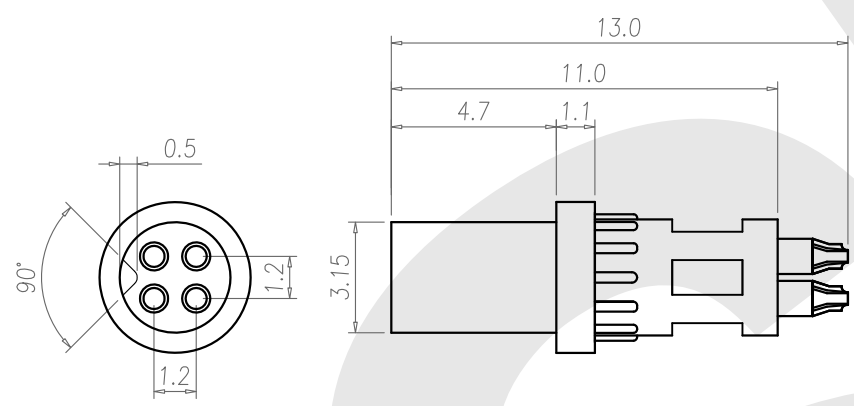


- MATERIAL :**
 - 1-1. HOUSING : TPU ; COLOR : BLACK
 - 1-2. CONTACT : PHOSPHOR BRONZE
 - 1-3. NUT : BRASS
 - 1-4. O-RING : NBR ; COLOR : BLACK
 - 1-5. SHELL : BRASS.
- FINISH :**
 - 2-1. CONTACT : GOLD FLASH MICRO INCHES MIN.
 - 2-2. NUT : SATING NICKEL PLATED
 - 2-3. SHELL : BRIGHT TIN PLATED
- ELECTRICAL SPECIFICATION :**
 - 3-1. Rated current : 1A
 - 3-2. Rated Voltage : 60V
 - 3-3. Water proof: IPX7
- Environmental :**
 - 4-1. Operation Temperature : -20 ℃~85℃

SST SOUTH SEA TERMINAL CO.,LTD

SGS Report No.:	Customer:	Part No.:
		5F4P-W-A-6.0-M-1-GF-B-SN
Title: M5 FEMALE SOLDER TYPE for CABLE (GROUND)		
Drawn By: Storm.Li	SCALE	SHEET
Checked By: du	1:1	1/1
Approved By: Tony	REV.	A
	DWG NO.:	SST-100630-01
	Third angle Projection	Units
	General Dimension Tolerance	mm
		TOLERANCE
		.x ±0.20
		.xx ±0.10
		.xxx ±0.05
		.xxxx ±0.03
		ANGULA ±1°

Rev	Revisions	Rev.Drawn	Date
A		Du	25.11.2008

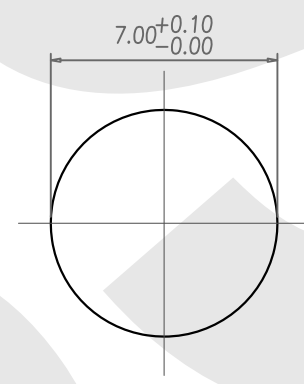
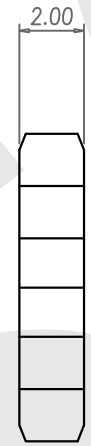
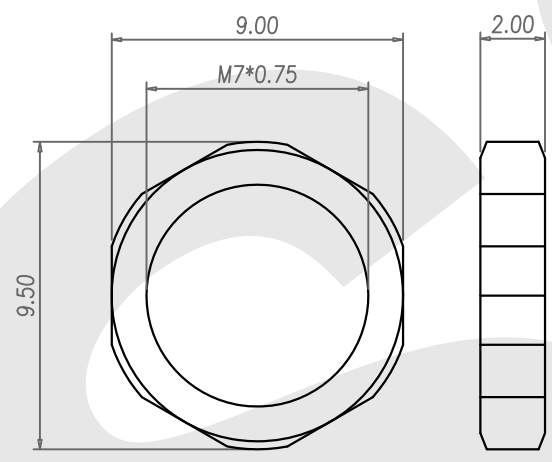
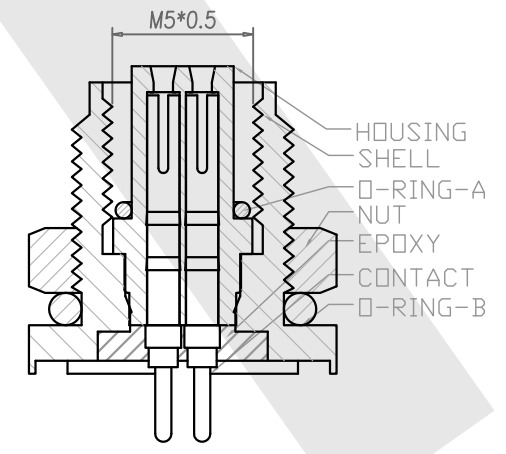
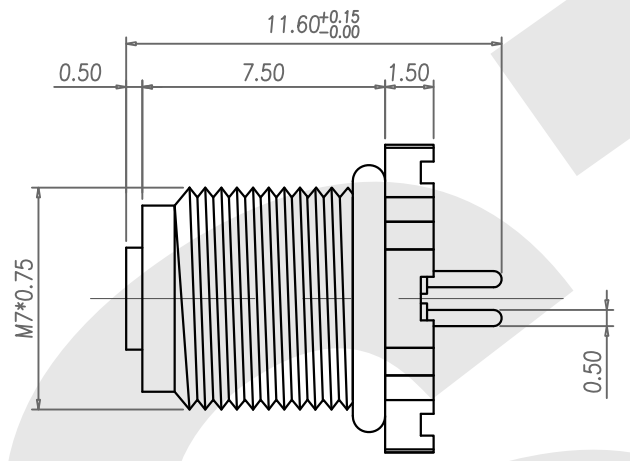
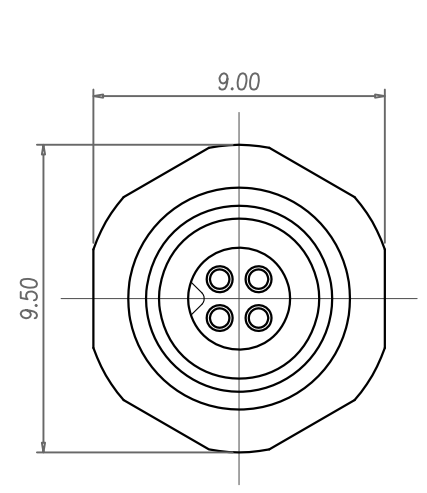


1. MATERIAL :
 - 1-1. HOUSING : TPU ; COLOR : BLACK
 - 1-2. CONTACT : PHOSPHOR BRONZE
 - 1-3. NUT : BRASS
 - 1-4. O-RING : NBR ; COLOR : BLACK
2. FINISH :
 - 2-1. CONTACT : GOLD FLASH MICRO INCHES MIN.
 - 2-2. NUT : Satin Nickel PLATED.
3. ELECTRICAL SPECIFICATION :
 - 3-1. Rated current : 1A
 - 3-2. Rated Voltage : 60V
 - 3-3. Water proof: IP67
4. Environmental :
 - 4-1. Operation Temperature : -20 ℃~85℃

SST SOUTH SEA TERMINAL CO.,LTD

SGS Report No.:	Customer:	Part No.:
		5F4P-W-A-6.0-P-2-GF-B-SN
Title: M5 FEMALE SOLDER TYPE for CABLE		
Drawn By: Storm.Li	SCALE 1:1	SHEET 1/1
Checked By: du	REV. A	DWG NO.: SST-081125-01
Approved By: Tony	TOLERANCE: X. ±2MM .X ±0.25MM .XX ±0.1MM .XXX±0.1MM	
Thire angle Projection		Units mm
General Dimesion Tolerance		

Rev	Revisions	Rev.Drawn	Date
A		Du	30.04.2010



NUT

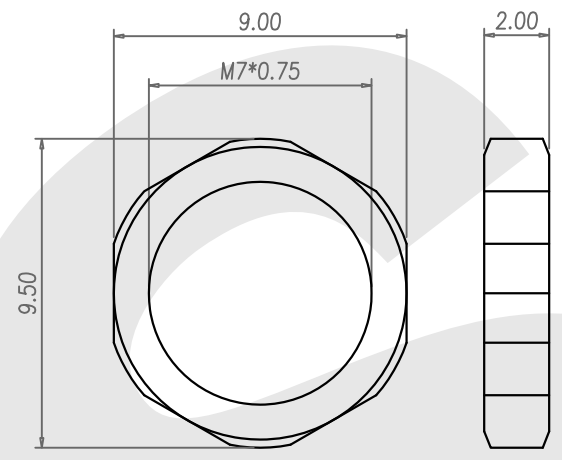
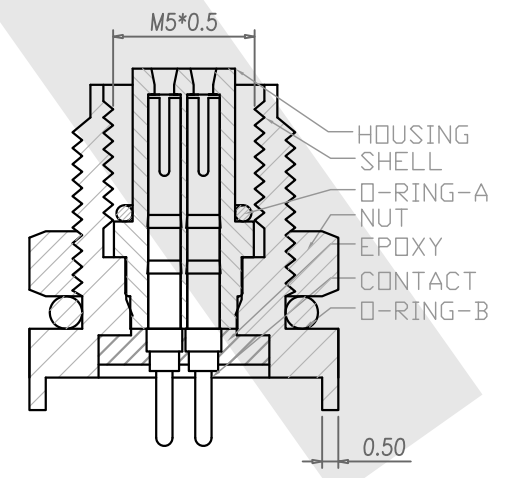
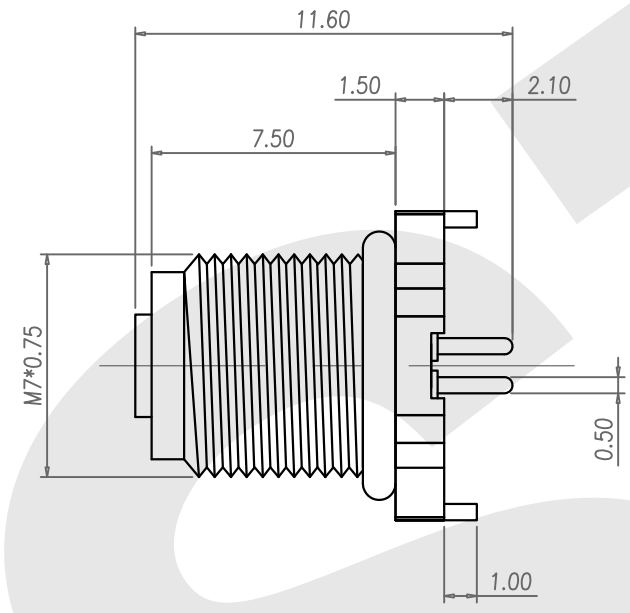
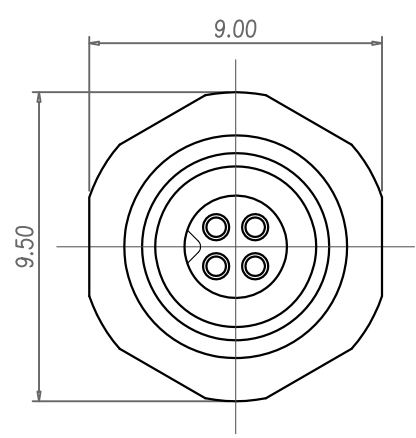
RECOMMEND PANEL CUT-OUT

1. MATERIAL :
 - 1-1. HOUSING : PBT UL94V-0 ; COLOR : BLACK
 - 1-2. CONTACT : PHOSPHOR BRONZE
 - 1-3. NUT : BRASS
 - 1-4. SHELL : BRASS
 - 1-5. O-RING : NBR ; COLOR : BLACK
 - 1-6. EPOXY BASE : EF400A & EF400B. COLOR : BLACK
2. FINISH :
 - 2-1. CONTACT : GOLD FLASH MICRO INCHES MIN.
 - 2-2. NUT : NICKEL PLATED.
 - 2-3. SHELL : NICKEL PLATED.
3. ELECTRICAL SPECIFICATION :
 - 3-1. Rated current : 1A
 - 3-2. Rated Voltage : 60V
 - 3-3. Water proof: IP67
4. Environmental :
 - 4-1. Operation Temperature : -20 °C~85°C

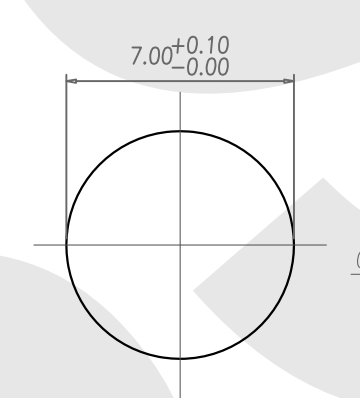
SST SOUTH SEA TERMINAL CO.,LTD

SGS Report No.:	Customer:	Part No.:
		5F4P-B-A-FL-7x0.75-C-D-GF-B-N
Title: M5 FEMALE DIP TYPE FRONT LOCK for BOARD		
Drawn By: Storm.Li	SCALE	SHEET
Checked By: du	1:1	1/1
Approved By: Tony	Thire angle Projection	General Dimension Tolerance
	DWG NO.:	TOLERANCE:
	SST-100430-01	X. ±2MM
		.X ±0.25MM
		.XX ±0.1MM
		.XXX ±0.1MM
	Units	mm

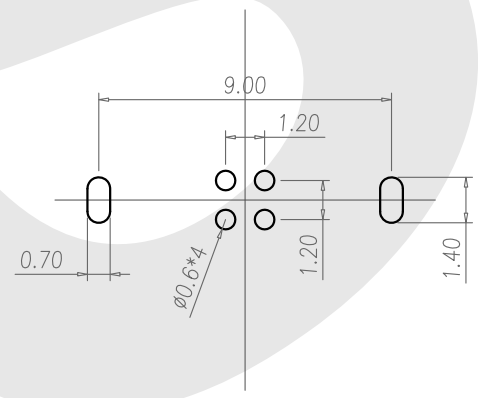
Rev	Revisions	Rev.Drawn	Date
A		Du	07.Mar.2013



NUT



RECOMMENDPANEL CUT-OUT



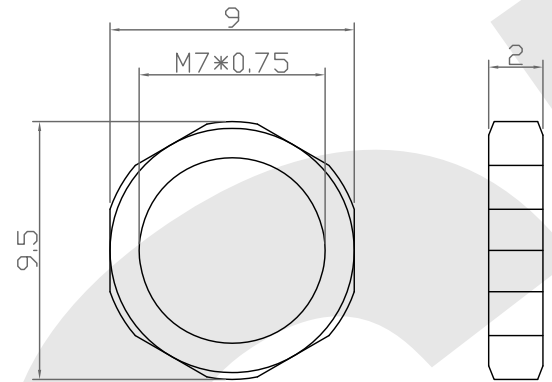
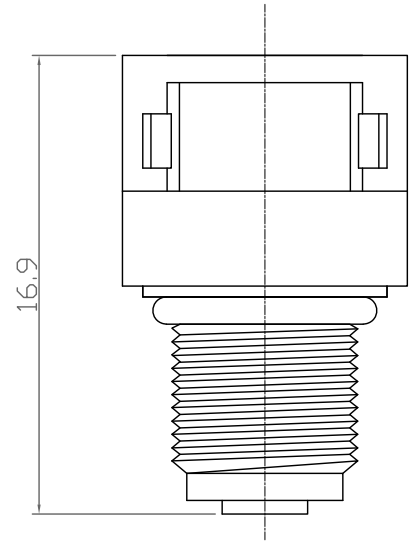
RECOMMENDPANEL PCB

- MATERIAL :**
 - 1-1. HOUSING : PBT UL94V-0; COLOR : BLACK
 - 1-2. CONTACT : PHOSPHOR BRONZE
 - 1-3. NUT : BRASS
 - 1-4. SHELL : BRASS
 - 1-5. O-RING : NBR ; COLOR : BLACK
 - 1-6. EPOXY BASE : EF400A & EF400B. COLOR : BLACK
- FINISH :**
 - 2-1. CONTACT : 0.1um GOLD PLATED
 - 2-2. NUT : NICKEL PLATED.
 - 2-3. SHELL : NICKEL PLATED.
- ELECTRICAL SPECIFICATION :**
 - 3-1. Rated current : 1A
 - 3-2. Rated Voltage : 60V
 - 3-3. Water proof: IP67
- Environmental :**
 - 4-1. Operation Temperature : -20 ℃~85℃

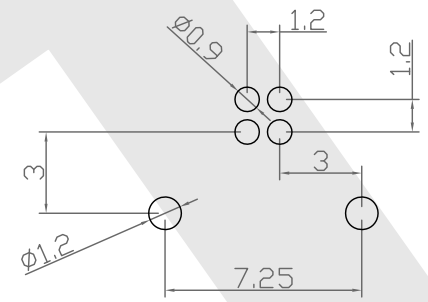
SST SOUTH SEA TERMINAL CO.,LTD

SGS Report No.:	Customer:	Part No.:
		5F4P-B-A-FL-7x0.75-C-D-P-GF-B-N
Title: M5 FEMALE DIP TYPE FRONT LOCK for BOARD (FIXED PEG)		
Drawn By: Storm.Li	SCALE	SHEET
Checked By: du	1:1	1/1
Approved By: Tony	REV.	A
	DWG NO.:	/
	Third angle Projection	Units
	General Dimension Tolerance	mm
	TOLERANCE:	
	.x ±0.20	
	.xx ±0.10	
	.xxx ±0.05	
	.xxxx ±0.03	
	ANGULA ±1°	

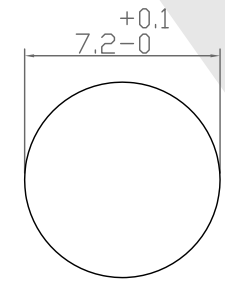
Rev	Revisions	Rev.Drawn	Date
A		Du	31,May,2011



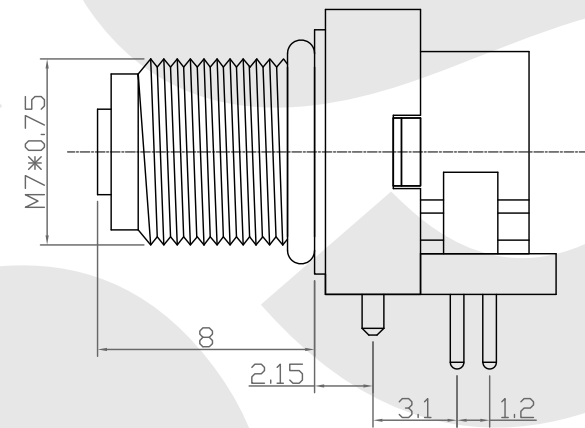
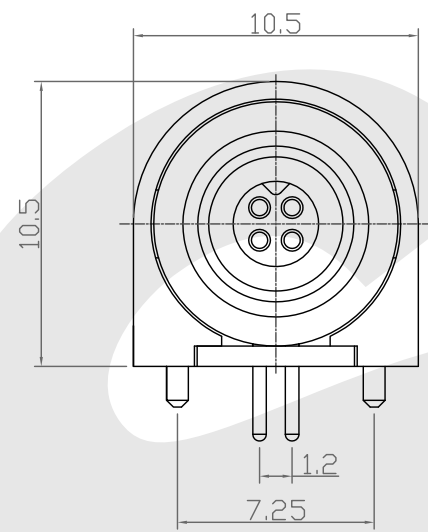
NUT



P.C.B LAYOUT



PANEL CUT-OUT



NOTE:

- MATERIAL :
 - 1-1. HOUSING : PBT UL94V-0 ; COLOR : BLACK
 - 1-2. CONTACT : BRASS
 - 1-3. NUT : BRASS
 - 1-4. SHELL: BRASS
 - 1-5. O-RING : NBR ; COLOR : BLACK
 - 1-6. BACK HOUSING : PBT UL94V-0 ; COLOR : BLACK
 - 1-7. DOWN HOUSING : PBT UL94V-0 ; COLOR : BLACK
- FINISH :
 - 2-1. CONTACT : GOLD FLASH ON OVER ALL UNDER PLATE : NICKEL
 - 2-2. NUT : STAIN NICKEL 80u"~100u" ON OVER ALL
 - 2-3. SHELL : STAIN NICKEL 80u"~100u" ON OVER ALL

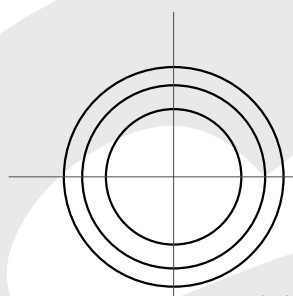
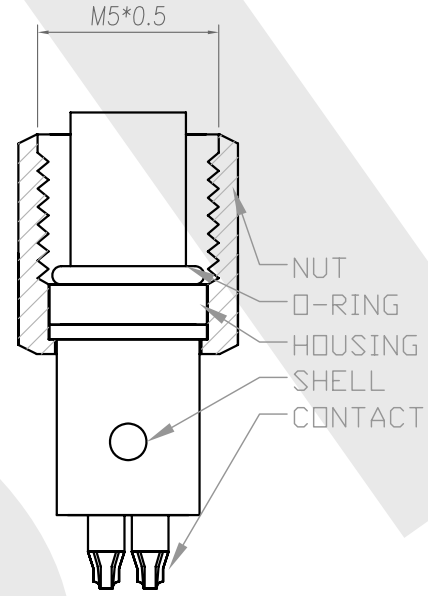
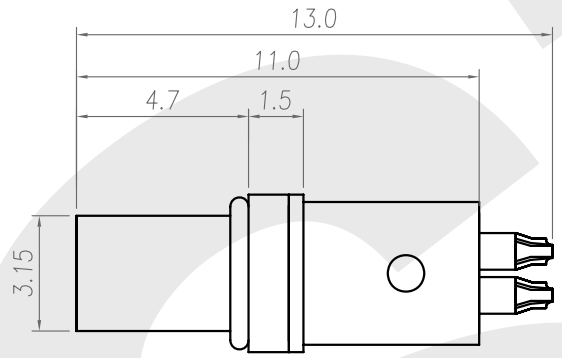
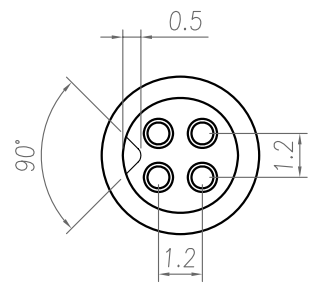
SST SOUTH SEA TERMINAL CO.,LTD

SGS Report No.: Customer: Part No.: 5F4P-B-RA-A-FL-7x0.75-C-D-GF-B-N

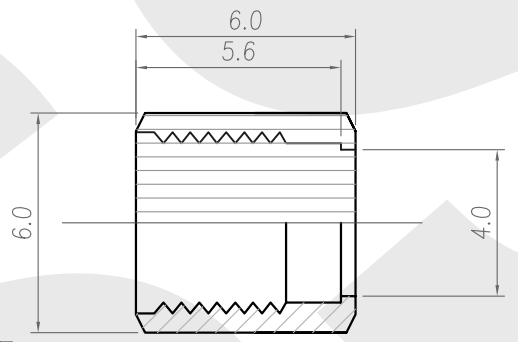
Title: M5 FEMALE 90°DIP TYPE FRONT LOCK for BOARD

Drawn By: Storm.Li	SCALE	SHEET	REV.	DWG NO.:	TOLERANCE
Checked By: du	1:1	1/1	A	SST-110531-24	.x ±0.20
Approved By: Tony	Third angle Projection			Units mm	.xxx ±0.10
	General Dimension Tolerance				.xxxx ±0.05
					.xxxxx ±0.03
					ANGULA ±1°

Rev	Revisions	Rev.Drawn	Date
A		Du	06/2010



NUT

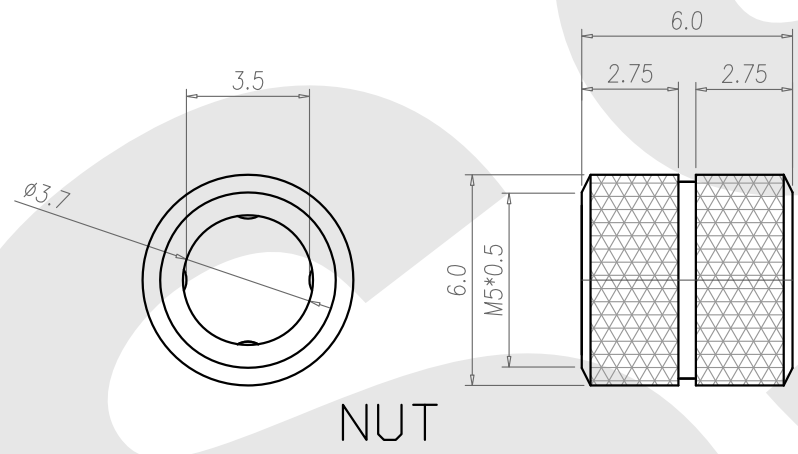
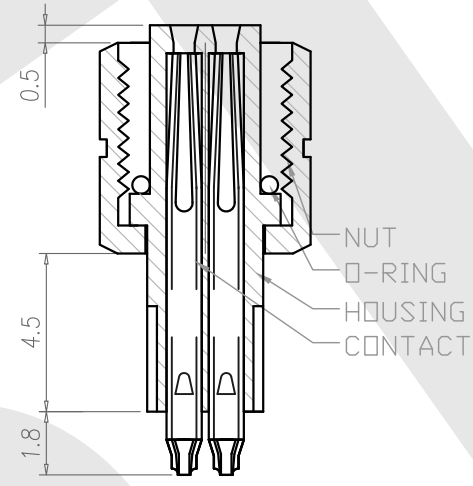
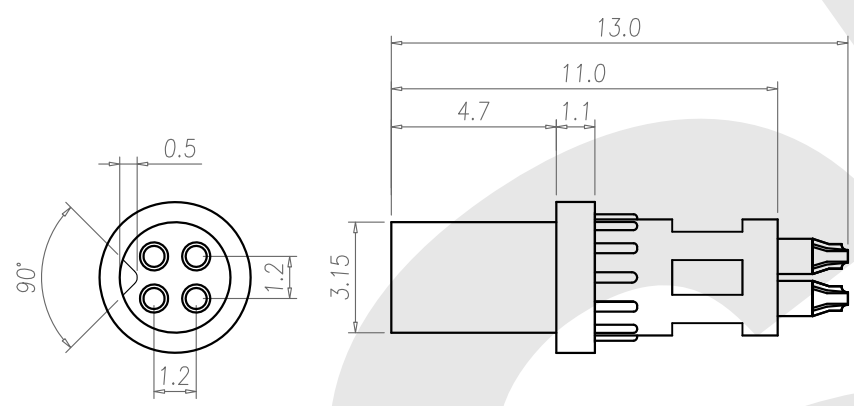


1. MATERIAL :
 - 1-1. HOUSING : TPU ; COLOR : BLACK
 - 1-2. CONTACT : PHOSPHOR BRONZE
 - 1-3. NUT : BRASS
 - 1-4. O-RING : NBR ; COLOR : BLACK
 - 1-5. SHELL : BRASS.
2. FINISH :
 - 2-1. CONTACT : GOLD FLASH MICRO INCHES MIN.
 - 2-2. NUT : SATING NICKEL PLATED
 - 2-3. SHELL : BRIGHT TIN PLATED
3. ELECTRICAL SPECIFICATION :
 - 3-1. Rated current : 1A
 - 3-2. Rated Voltage : 60V
 - 3-3. Water proof: IPX7
4. Environmental :
 - 4-1. Operation Temperature : -20 ℃~85℃

SST SOUTH SEA TERMINAL CO.,LTD

SGS Report No.:	Customer:	Part No.:
		5F4P-W-A-6.0-M-1-GF-B-SN
Title: M5 FEMALE SOLDER TYPE for CABLE (GROUND)		
Drawn By: Storm.Li	SCALE	SHEET
Checked By: du	1:1	1/1
Approved By: Tony	REV.	A
	DWG NO.:	SST-100630-01
	Third angle Projection	Units
	General Dimension Tolerance	mm
		TOLERANCE
		.x ±0.20
		.xx ±0.10
		.xxx ±0.05
		.xxxx ±0.03
		ANGULA ±1°

Rev	Revisions	Rev.Drawn	Date
A		Du	25.11.2008

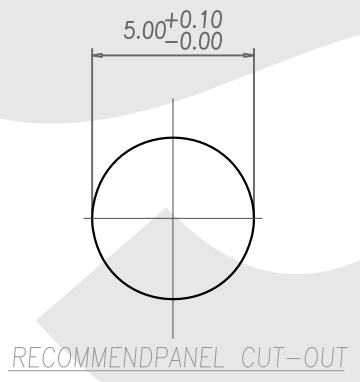
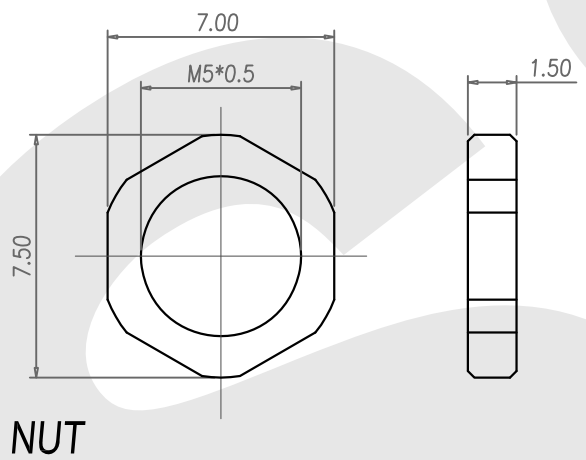
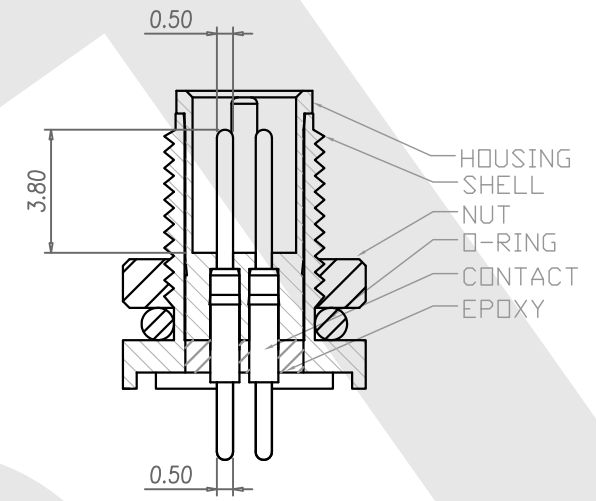
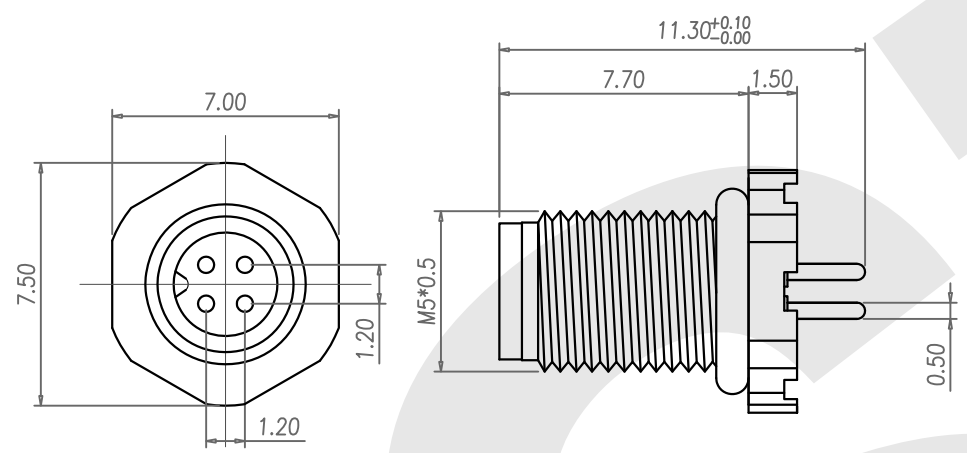


1. MATERIAL :
 - 1-1. HOUSING : TPU ; COLOR : BLACK
 - 1-2. CONTACT : PHOSPHOR BRONZE
 - 1-3. NUT : BRASS
 - 1-4. O-RING : NBR ; COLOR : BLACK
2. FINISH :
 - 2-1. CONTACT : GOLD FLASH MICRO INCHES MIN.
 - 2-2. NUT : Satin Nickel PLATED.
3. ELECTRICAL SPECIFICATION :
 - 3-1. Rated current : 1A
 - 3-2. Rated Voltage : 60V
 - 3-3. Water proof: IP67
4. Environmental :
 - 4-1. Operation Temperature : -20 ℃~85℃

SST SOUTH SEA TERMINAL CO.,LTD

SGS Report No.:	Customer:	Part No.:
		5F4P-W-A-6.0-P-2-GF-B-SN
Title: M5 FEMALE SOLDER TYPE for CABLE		
Drawn By: Storm.Li	SCALE	SHEET
Checked By: du	1:1	1/1
Approved By: Tony	REV. A	
Thire angle Projection		DWG NO.:
General Dimesion Tolerance		SST-081125-01
		TOLERANCE:
		X. ±2MM
		.X ±0.25MM
		.XX ±0.1MM
		.XXX±0.1MM
		Units
		mm

Rev	Revisions	Rev.Drawn	Date
A		Du	30.04.2010

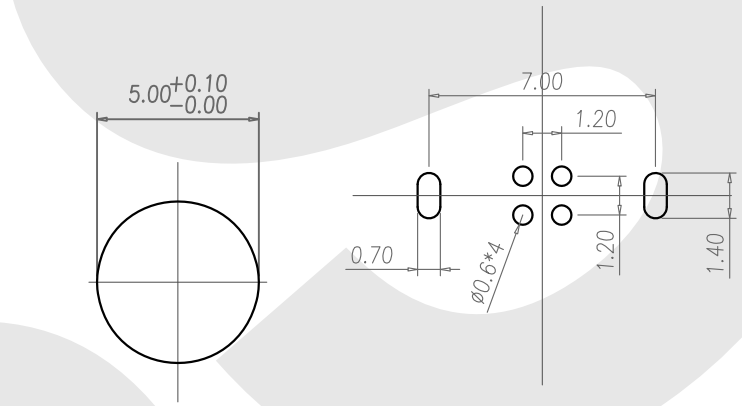
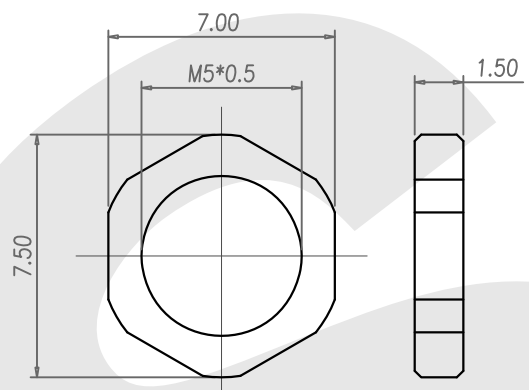
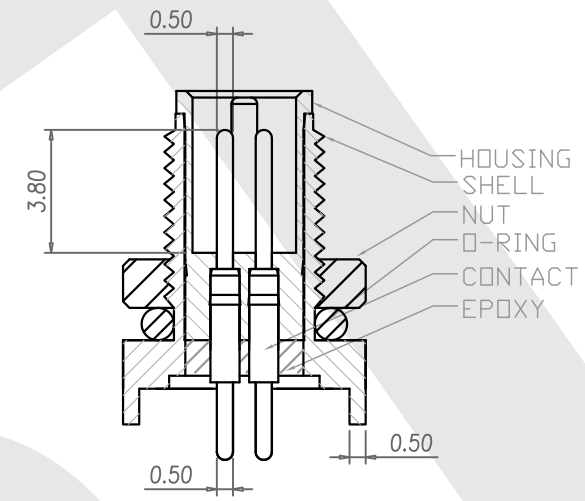
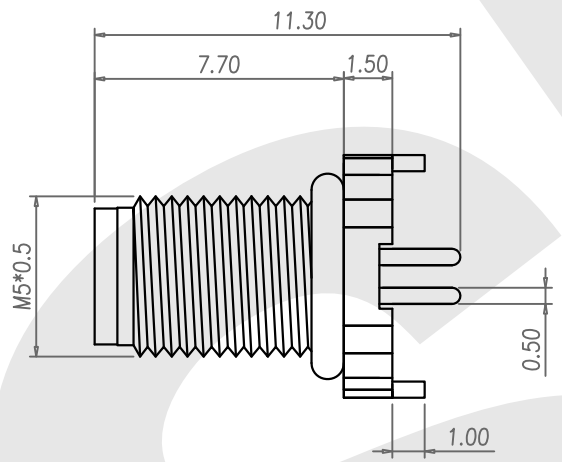
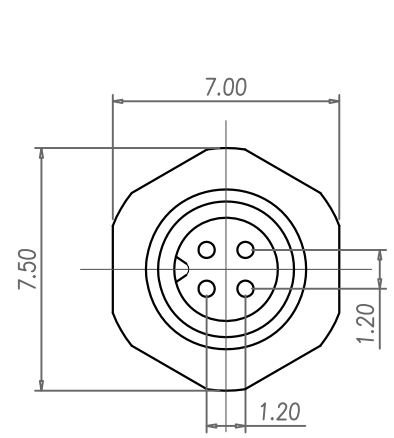


- MATERIAL :**
 - 1-1. HOUSING : PBT UL94V-0 ; COLOR : BLACK
 - 1-2. CONTACT : BRASS
 - 1-3. NUT : BRASS
 - 1-4. SHELL : BRASS
 - 1-5. O-RING : NBR ; COLOR : BLACK
 - 1-6. EPOXY BASE : EF400A & EF400B. COLOR : BLACK
- FINISH :**
 - 2-1. CONTACT : GOLD FLASH MICRO INCHES MIN.
 - 2-2. NUT : NICKEL PLATED.
 - 2-3. SHELL : NICKEL PLATED.
- ELECTRICAL SPECIFICATION :**
 - 3-1. Rated current : 1A
 - 3-2. Rated Voltage : 60V
 - 3-3. Water proof: IP67
- Environmental :**

SST SOUTH SEA TERMINAL CO.,LTD

SGS Report No.:	Customer:	Part No.:
		5M4P-B-A-FL-5x0.5-C-D-GF-B-N
Title: M5 MALE DIP TYPE FRONT LOCK for BOARD		
Drawn By: Storm.Li	SCALE	SHEET
Checked By: du	1:1	1/1
Approved By: Tony	Thire angle Projection	REV. A
	General Dimesion Tolerance	DWG NO.:
		SST-100430-02
		TOLERANCE:
		X. ±2MM
		.X ±0.25MM
		.XX ±0.1MM
		.XXX±0.1MM
		Units
		mm

Rev	Revisions	Rev.Drawn	Date
A		Du	07.Mar.2013



- MATERIAL :**
 - 1-1. HOUSING : PBT UL94V-0 ; COLOR : BLACK
 - 1-2. CONTACT : BRASS
 - 1-3. NUT : BRASS
 - 1-4. SHELL : BRASS
 - 1-5. O-RING : NBR ; COLOR : BLACK
 - 1-6. EPOXY BASE : EF400A & EF400B. COLOR : BLACK
- FINISH :**
 - 2-1. CONTACT : GOLD FLASH MICRO INCHES MIN.
 - 2-2. NUT : NICKEL PLATED.
 - 2-3. SHELL : NICKEL PLATED.
- ELECTRICAL SPECIFICATION :**
 - 3-1. Rated current : 1A
 - 3-2. Rated Voltage : 60V
 - 3-3. Water proof: IP67
- Environmental :**
 - 4-1. Operation Temperature : -20 °C~85°C

NUT

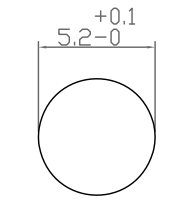
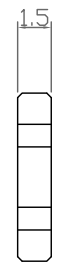
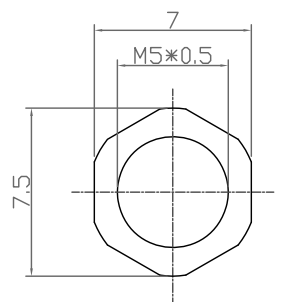
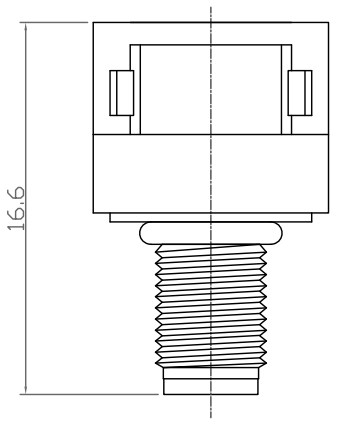
RECOMMEND PANEL CUT-OUT

RECOMMEND PANEL PCB

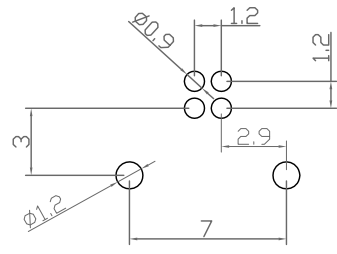
SST SOUTH SEA TERMINAL CO.,LTD

SGS Report No.:	Customer:	Part No.:
		5M4P-B-A-FL-5x0.5-C-D-P-GF-B-N
Title: M5 MALE DIP TYPE FRONT LOCK for BOARD (FIXED PEG)		
Drawn By: Storm.Li	SCALE	SHEET
Checked By: du	1:1	1/1
Approved By: Tony	REV.	A
	DWG NO.:	/
	Third angle Projection	Units
	General Dimension Tolerance	mm
	TOLERANCE:	
	.x	±0.20
	.xx	±0.10
	.xxx	±0.05
	.xxxx	±0.03
	ANGULA	±1°

Rev	Revisions	Rev.Drawn	Date
A		Du	31,May,2011
B	增加料號	Du	14,JAN,2015



PANEL CUT-OUT

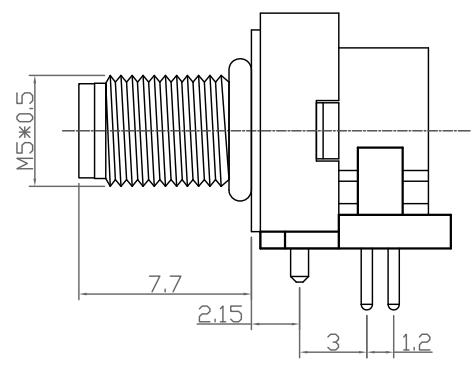
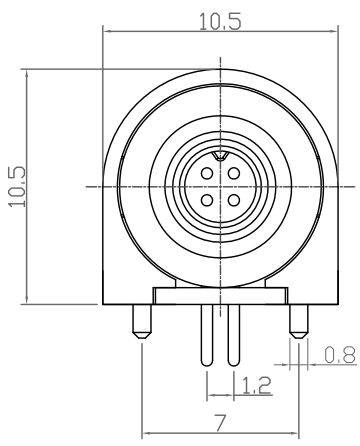


P.C.B LAYOUT

NUT

NOTE:

- MATERIAL :
 - 1-1. HOUSING : PBT UL94V-0 ; COLOR : BLACK
 - 1-2. CONTACT : BRASS
 - 1-3. NUT : BRASS
 - 1-4. O-RING : NBR ; COLOR : BLACK
 - 1-5. BACK HOUSING : PBT UL94V-0 ; COLOR : BLACK
 - 1-6. DOWN HOUSING : PBT UL94V-0 ; COLOR : BLACK
- FINISH :
 - 2-1. CONTACT : GOLD FLASH ON OVER ALL
UNDER PLATE : NICKEL
 - 2-2. NUT : STAIN NICKEL.
- ELECTRICAL SPECIFICATION :
 - 3-1. Rated current : 1A
 - 3-2. Rated Voltage : 60V
 - 3-3. Water proof: IP67
- Environmental :
 - 4-1. Operation Temperature : -20 ℃~85℃



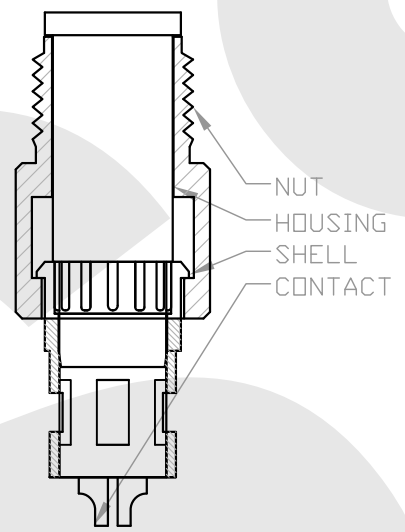
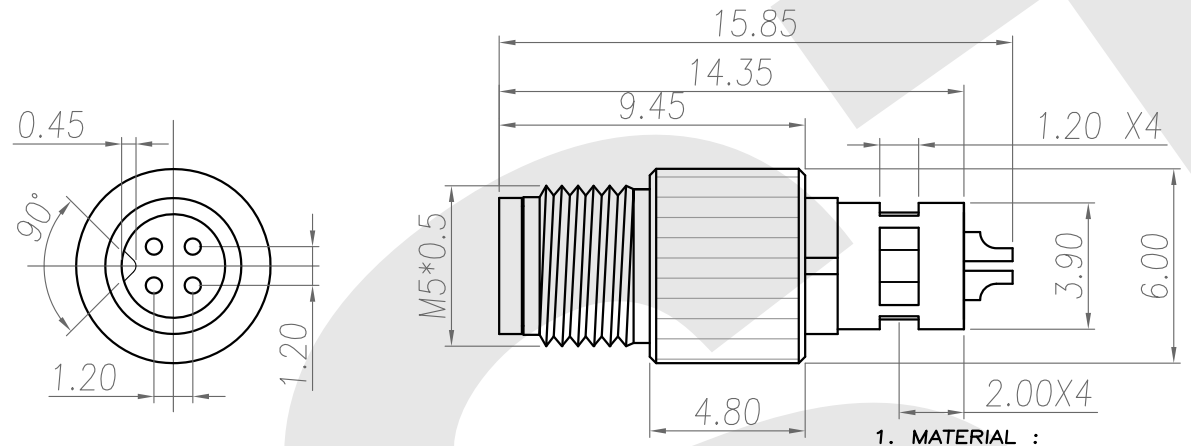
SST P/N

5M2P-B-RA-A-FL-5x0.5-C-D-CF-B-N	5M3P-B-RA-A-FL-5x0.5-C-D-CF-B-N	5M4P-B-RA-A-FL-5x0.5-C-D-CF-B-N

SST SOUTH SEA TERMINAL CO.,LTD

SGS Report No.:	Customer:	Part No.:
		5M2(3,4)P-B-RA-A-FL-5x0.5-C-D-CF-B-N
Title: M5 MALE 90° DIP TYPE for BOARD		
Drawn By: Storm.Li	SCALE	SHEET
Checked By: du	1:1	1/1
Approved By: Tony	REV.	A
	DWG NO.:	/
Third angle Projection		Units mm
General Dimension Tolerance		
		TOLERANCE
		.x ±0.20
		.xx ±0.10
		.xxx ±0.05
		.xxxx ±0.03
		ANGULA ±1°

Rev	Revisions	Rev.Drawn	Date
A		Du	22.Mar.2013



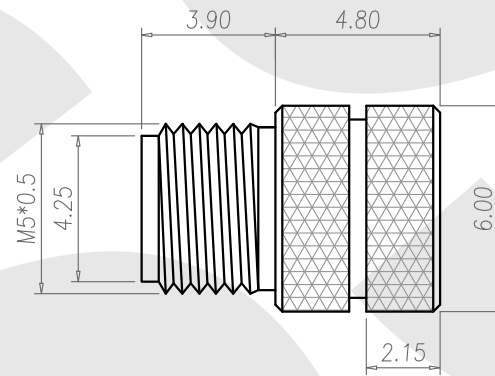
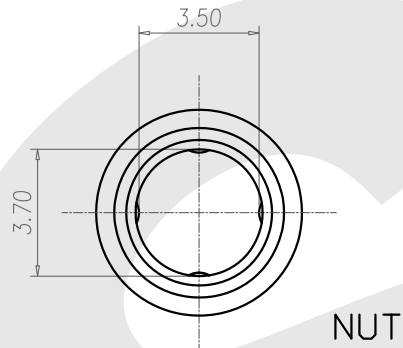
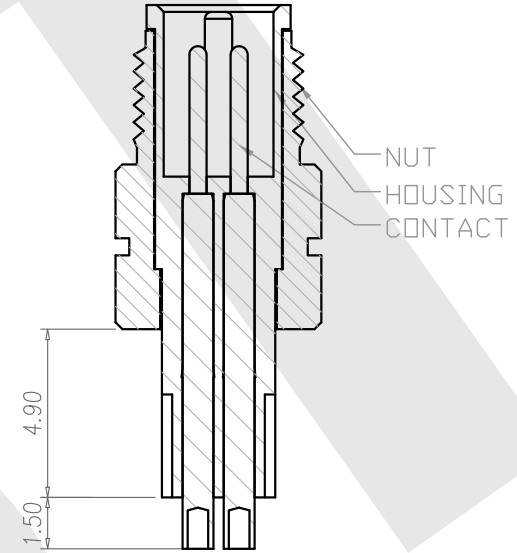
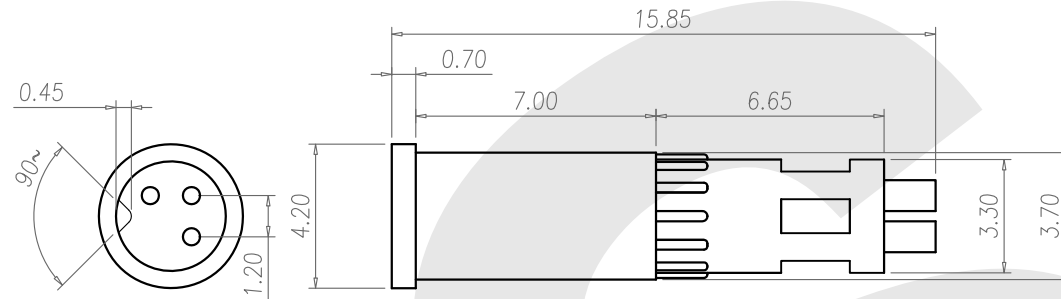
1. MATERIAL :
 - 1-1. HOUSING : SEE TABLE A.
 - 1-2. CONTACT : BRASS.
 - 1-3. NUT : BRASS
 - 1-4. SHELL : BRASS.
2. FINISH :
 - 2-1. CONTACT : GOLD FLASH MICRO INCHES MIN.
 - 2-2. NUT : SATING Ni PLATED.
 - 2-3. SHELL : BRIGHT TIN PLATED .
3. ELECTRICAL SPECIFICATION :
 - 3-1. Rated current : 1A
 - 3-2. Rated Voltage : 60V
 - 3-3. Water proof : IP67
4. Environmental :
 - 4-1. Operation Temperature : -20 ℃~85℃

5M4P-W-A-8.4-M-1-GF-B-SN (T)	TPU ; COLOR : BLACK
5M4P-W-A-8.4-M-1-GF-B-SN (P)	PBT ; COLOR : BLACK
PART NO	MATERIAL

SST SOUTH SEA TERMINAL CO.,LTD

SGS Report No.:	Customer:	Part No.:
		5M4P-W-A-8.4-M-1-GF-B-SN
Title: M5 MALE SOLDER TYPE for CABLE (GROUND)		
Drawn By: Storm.Li	SCALE	SHEET
Checked By: du	1:1	1/1
Approved By: Tony	REV.	A
	DWG NO.:	/
	Third angle Projection	
	General Dimension Tolerance	
	Units	mm
	TOLERANCE:	
	.x	±0.20
	.xx	±0.10
	.xxx	±0.05
	.xxxx	±0.03
	ANGULA	±1°

Rev	Revisions	Rev.Drawn	Date
A		Du	03.Aug.2012

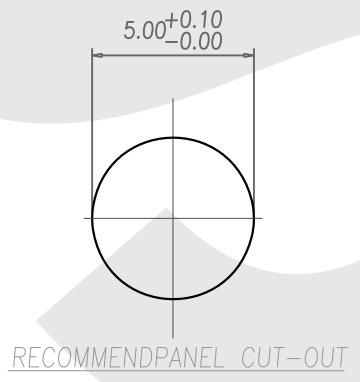
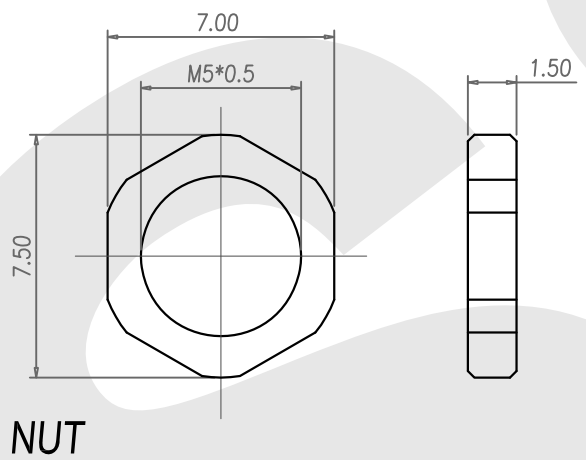
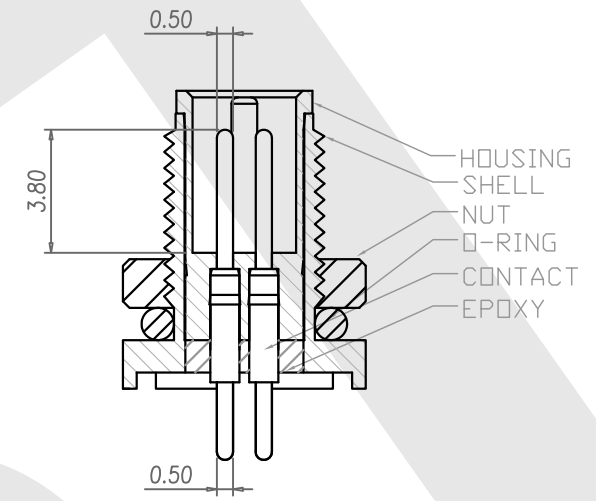
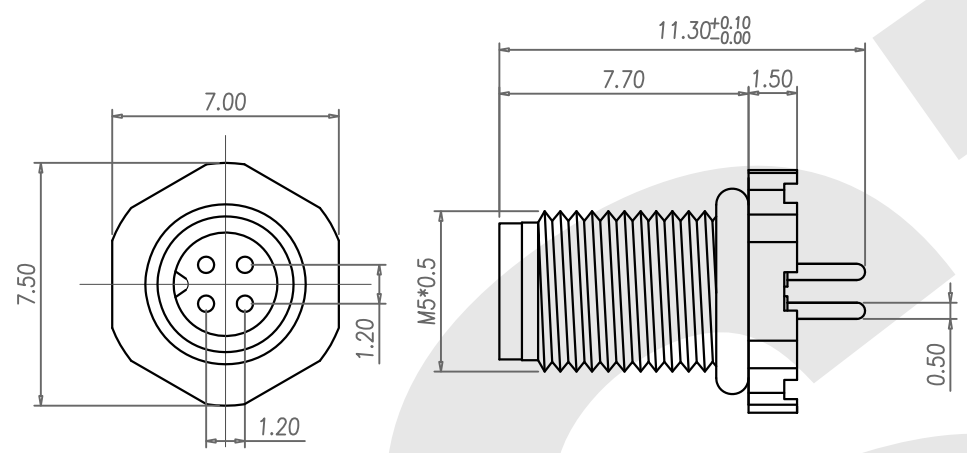


1. MATERIAL :
 - 1-1. HOUSING : TPU ; COLOR : BLACK
 - 1-2. CONTACT : BRASS
 - 1-3. NUT : BRASS
2. FINISH :
 - 2-1. CONTACT : GOLD FLASH MICRO INCHES MIN.
 - 2-2. NUT : Satin Nickel PLATED.
3. ELECTRICAL SPECIFICATION :
 - 3-1. Rated current : 1A
 - 3-2. Rated Voltage : 60V
 - 3-3. Water proof: IP67
4. Environmental :
 - 4-1. Operation Temperature : -20C~85C

SST SOUTH SEA TERMINAL CO.,LTD

SGS Report No.:	Customer:	Part No.:
		5M3P-W-A-8.4-P-2-GF-B-SN
Title: M5 MALE SOLDER TYPE for CABLE		
Drawn By: Storm.Li	SCALE	SHEET
Checked By: du	1:1	1/1
Approved By: Tony	REV. A	
Thire angle Projection		DWG NO.:
General Dimension Tolerance		/
		Units
		mm
		TOLERANCE:
		.x ±0.20
		.xx ±0.15
		.xxx ±0.10
		.xxxx ±0.03
		ANGULA ±1°

Rev	Revisions	Rev.Drawn	Date
A		Du	30.04.2010

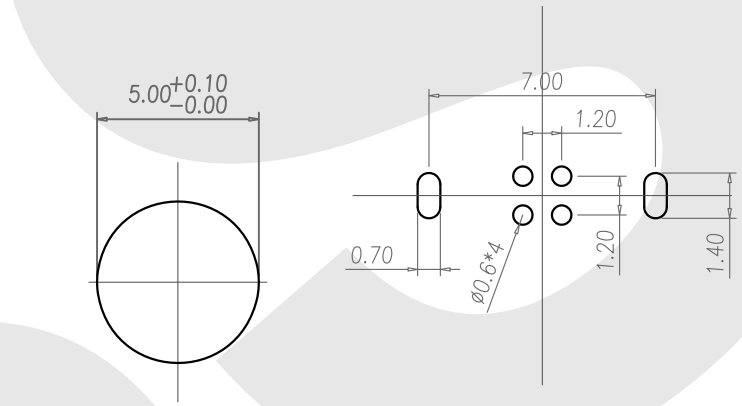
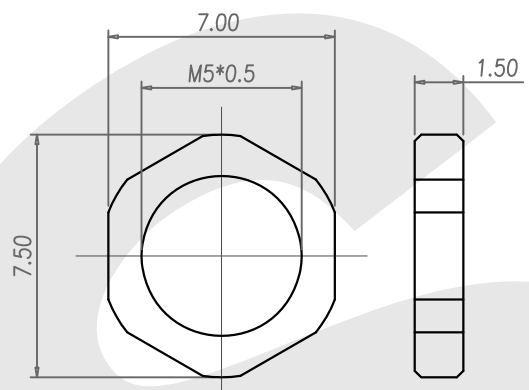
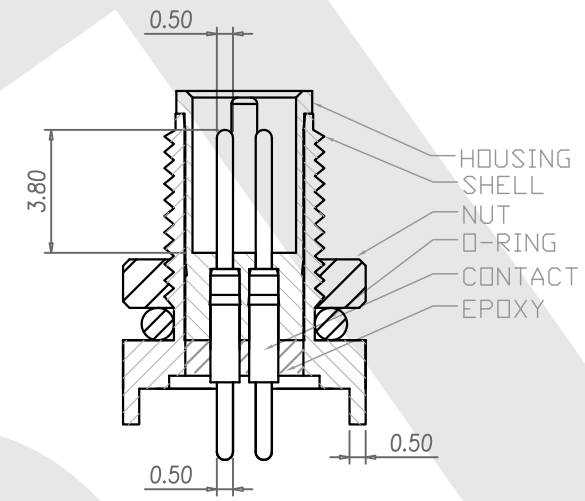
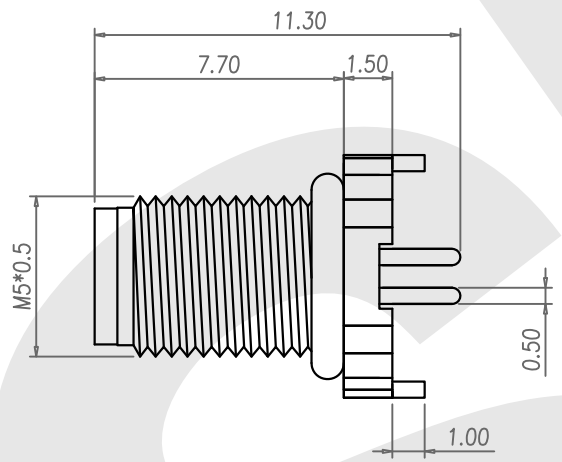
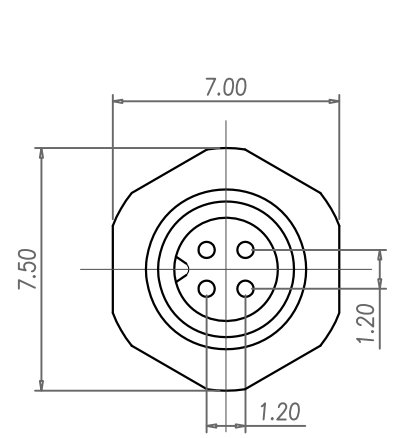


1. MATERIAL :
 - 1-1. HOUSING : PBT UL94V-0 ; COLOR : BLACK
 - 1-2. CONTACT : BRASS
 - 1-3. NUT : BRASS
 - 1-4. SHELL : BRASS
 - 1-5. O-RING : NBR ; COLOR : BLACK
 - 1-6. EPOXY BASE : EF400A & EF400B. COLOR : BLACK
2. FINISH :
 - 2-1. CONTACT : GOLD FLASH MICRO INCHES MIN.
 - 2-2. NUT : NICKEL PLATED.
 - 2-3. SHELL : NICKEL PLATED.
3. ELECTRICAL SPECIFICATION :
 - 3-1. Rated current : 1A
 - 3-2. Rated Voltage : 60V
 - 3-3. Water proof: IP67
4. Environmental :

SST SOUTH SEA TERMINAL CO.,LTD

SGS Report No.:	Customer:	Part No.:
		5M4P-B-A-FL-5x0.5-C-D-GF-B-N
Title: M5 MALE DIP TYPE FRONT LOCK for BOARD		
Drawn By: Storm.Li	SCALE	SHEET
Checked By: du	1:1	1/1
Approved By: Tony	Thire angle Projection	REV. A
	General Dimesion Tolerance	DWG NO.:
		SST-100430-02
		TOLERANCE:
		X. ±2MM
		.X ±0.25MM
		.XX ±0.1MM
		.XXX±0.1MM
		Units
		mm

Rev	Revisions	Rev.Drawn	Date
A		Du	07.Mar.2013



- MATERIAL :**
 - 1-1. HOUSING : PBT UL94V-0 ; COLOR : BLACK
 - 1-2. CONTACT : BRASS
 - 1-3. NUT : BRASS
 - 1-4. SHELL : BRASS
 - 1-5. O-RING : NBR ; COLOR : BLACK
 - 1-6. EPOXY BASE : EF400A & EF400B. COLOR : BLACK
- FINISH :**
 - 2-1. CONTACT : GOLD FLASH MICRO INCHES MIN.
 - 2-2. NUT : NICKEL PLATED.
 - 2-3. SHELL : NICKEL PLATED.
- ELECTRICAL SPECIFICATION :**
 - 3-1. Rated current : 1A
 - 3-2. Rated Voltage : 60V
 - 3-3. Water proof: IP67
- Environmental :**
 - 4-1. Operation Temperature : -20 °C~85°C

NUT

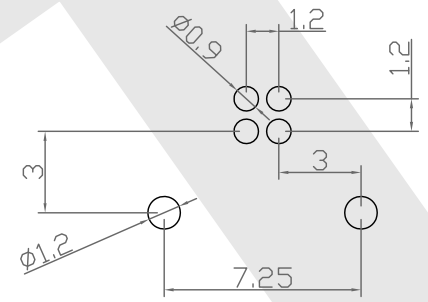
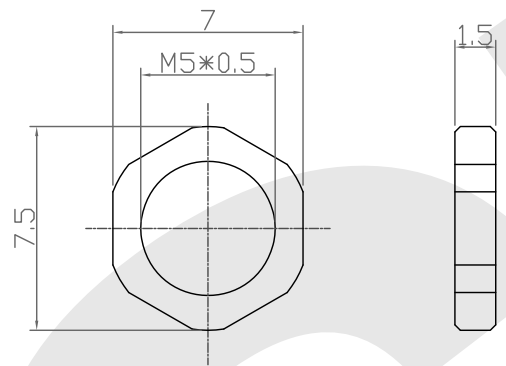
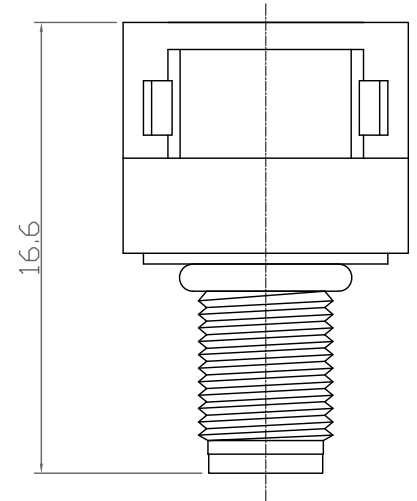
RECOMMEND PANEL CUT-OUT

RECOMMEND PANEL PCB

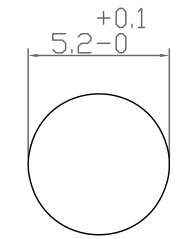
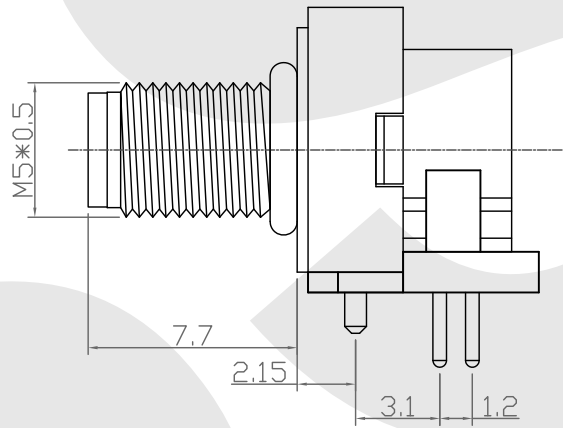
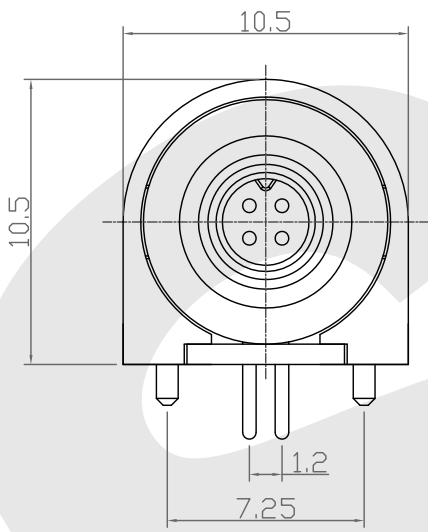
SST SOUTH SEA TERMINAL CO.,LTD

SGS Report No.:	Customer:	Part No.:
		5M4P-B-A-FL-5x0.5-C-D-P-GF-B-N
Title: M5 MALE DIP TYPE FRONT LOCK for BOARD (FIXED PEG)		
Drawn By: Storm.Li	SCALE	SHEET
Checked By: du	1:1	1/1
Approved By: Tony	REV.	A
	DWG NO.:	/
	Third angle Projection	Units
	General Dimension Tolerance	mm
	TOLERANCE:	
	.x	±0.20
	.xx	±0.10
	.xxx	±0.05
	.xxxx	±0.03
	ANGULA	±1°

Rev	Revisions	Rev.Drawn	Date
A		Du	31,May,2011



P.C.B LAYOUT



PANEL CUT-OUT

NUT

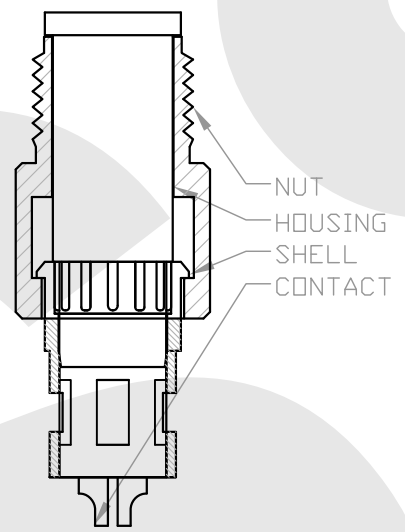
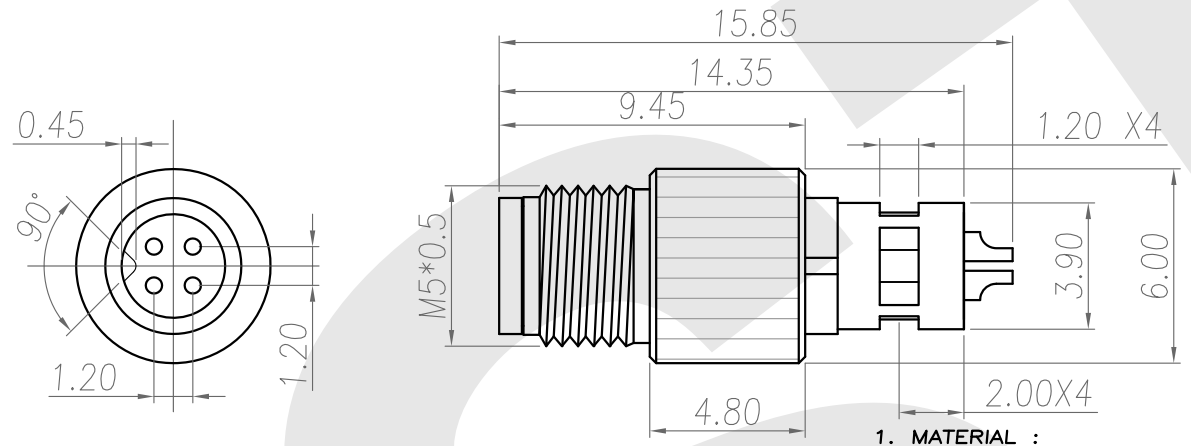
NOTE:

- MATERIAL :
 - 1-1. HOUSING : PBT UL94V-0 ; COLOR : BLACK
 - 1-2. CONTACT : BRASS
 - 1-3. NUT : BRASS
 - 1-4. O-RING : NBR ; COLOR : BLACK
 - 1-5. BACK HOUSING : PBT UL94V-0 ; COLOR : BLACK
 - 1-6. DOWN HOUSING : PBT UL94V-0 ; COLOR : BLACK
- FINISH :
 - 2-1. CONTACT : GOLD FLASH ON OVER ALL
UNDER PLATE : NICKEL
 - 2-2. NUT : NICKEL PLATED
 - 2-3. SHELL : STAIN NICKEL 80u"~100u" ON OVER ALL

SST SOUTH SEA TERMINAL CO.,LTD

SGS Report No.:	Customer:	Part No.:
		5M4P-B-RA-A-FL-5x0.5-C-D-GF-B-N
Title: M5 MALE 90° DIP TYPE for BOARD		
Drawn By: Storm.Li	SCALE	SHEET
Checked By: du	1:1	1/1
Approved By: Tony	Thire angle Projection	REV. A
	General Dimension Tolerance	DWG NO.:
		SST-110531-25
		Units
		mm
		TOLERANCE
		.x ±0.20
		.xx ±0.10
		.xxx ±0.05
		.xxxx ±0.03
		ANGULA ±1°

Rev	Revisions	Rev.Drawn	Date
A		Du	22.Mar.2013



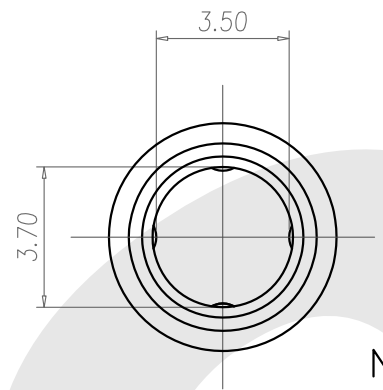
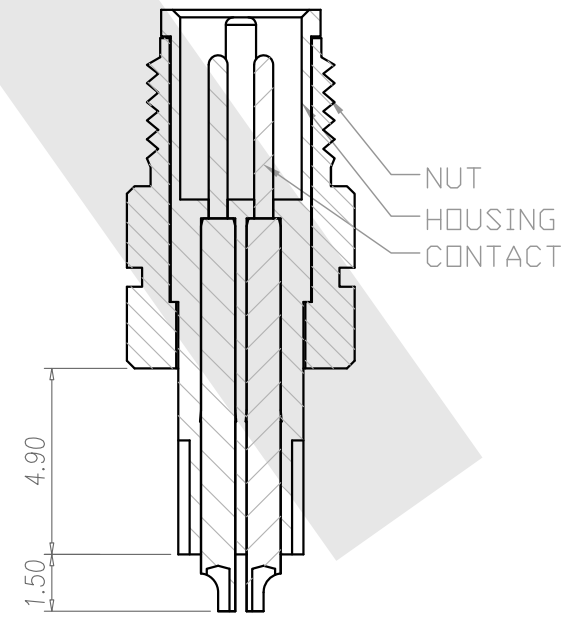
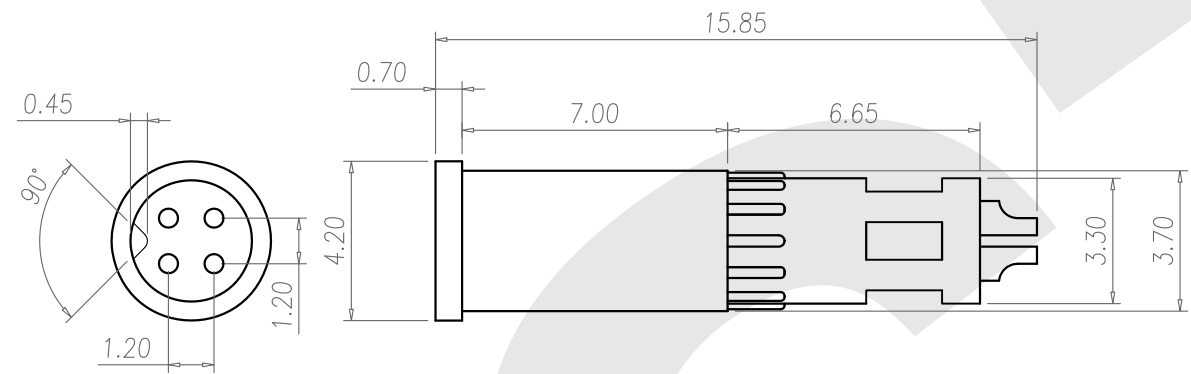
1. MATERIAL :
 - 1-1. HOUSING : SEE TABLE A.
 - 1-2. CONTACT : BRASS.
 - 1-3. NUT : BRASS
 - 1-4. SHELL : BRASS.
2. FINISH :
 - 2-1. CONTACT : GOLD FLASH MICRO INCHES MIN.
 - 2-2. NUT : SATING Ni PLATED.
 - 2-3. SHELL : BRIGHT TIN PLATED .
3. ELECTRICAL SPECIFICATION :
 - 3-1. Rated current : 1A
 - 3-2. Rated Voltage : 60V
 - 3-3. Water proof : IP67
4. Environmental :
 - 4-1. Operation Temperature : -20 ℃~85℃

5M4P-W-A-8.4-M-1-GF-B-SN (T)	TPU ; COLOR : BLACK
5M4P-W-A-8.4-M-1-GF-B-SN (P)	PBT ; COLOR : BLACK
PART NO	MATERIAL

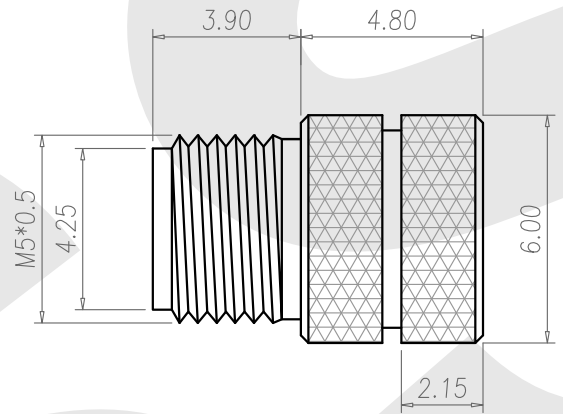
SST SOUTH SEA TERMINAL CO.,LTD

SGS Report No.:	Customer:	Part No.:
		5M4P-W-A-8.4-M-1-GF-B-SN
Title: M5 MALE SOLDER TYPE for CABLE (GROUND)		
Drawn By: Storm.Li	SCALE	SHEET
Checked By: du	1:1	1/1
Approved By: Tony	REV.	A
	DWG NO.:	/
	Third angle Projection	
	General Dimension Tolerance	
	Units	mm
	TOLERANCE:	
	.x	±0.20
	.xx	±0.10
	.xxx	±0.05
	.xxxx	±0.03
	ANGULA	±1°

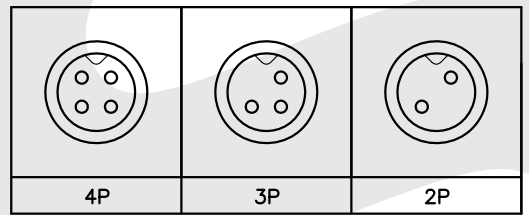
Rev	Revisions	Rev.Drawn	Date
A		Du	Feb.05.2013



NUT



- MATERIAL :
 - HOUSING : TPU ; COLOR : BLACK
 - CONTACT : BRASS
 - NUT : BRASS
- FINISH :
 - CONTACT : GOLD FLASH MICRO INCHES MIN.
 - NUT : Satin Nickel
- ELECTRICAL SPECIFICATION :
 - Rated current : 1A
 - Rated Voltage : 60V
 - Water proof: IP67
- Environmental :
 - Operation Temperature : -20 ℃~85℃



5M2P-W-A-8.4-P-2-GF-B-SN	Satin Nickel
5M3P-W-A-8.4-P-2-GF-B-SN	Satin Nickel
5M4P-W-A-8.4-P-2-GF-B-SN	Satin Nickel
PART NO.	PLATED

SST SOUTH SEA TERMINAL CO.,LTD

SGS Report No.:	Customer:	Part No.:
		5M4P-W-A-8.4-P-2-GF-B-SN
Title: M5 MALE SOLDER TYPE for CABLE		
Drawn By: Storm.Li	SCALE	SHEET
Checked By: du	1:1	1/1
Approved By: Tony	Thire angle Projection	
	General Dimesion Tolerance	
DWG NO.:	REV.	Units
/	A	mm
		TOLERANCE
		.x ±0.20
		.xx ±0.10
		.xxx ±0.05
		.xxxx ±0.03
		ANGULA ±1°