

# IP67 G-Win Display

Flat Touch Panel Mount Display

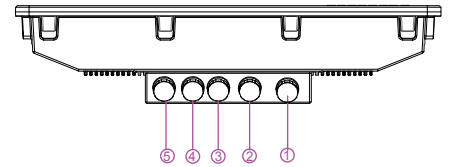
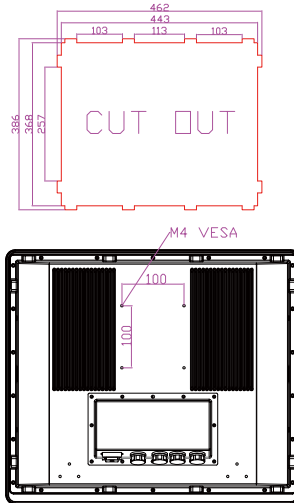
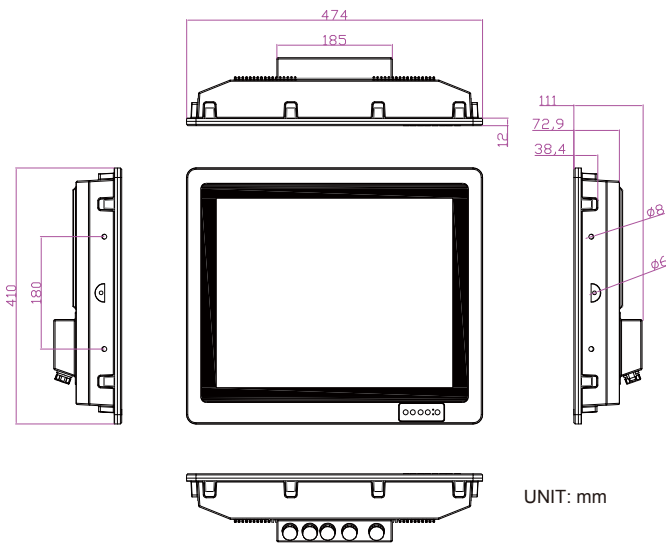
MODEL : R19L100-67FTP

Mechanical Design



## Features

- Totally sealed IP67 aluminum compact housing design
- 19-inch 1280x1024 panel with Projected Capacitive Touch
- -10°C to 60°C wide operating temperature
- Fanless, streamlined enclosure for highly efficient heat dissipation
- Rugged Front Anti-Impact Design
- Front control membrane keys Lockable by software
- Full IP67 male connectors with external female cables
- Optical Bonding with Panel and Touch



1. IP67 sealed HDMI (Optional)
2. IP67 sealed VGA Input
3. IP67 sealed COM for remote control (Optional)
4. IP67 USB for Touch
5. IP67 sealed 9~36V DC in

\* Note: this is a simplified drawing and some components are not marked in detail. Please contact our sales representative if you need further product information.

UNIT: mm

## System Specifications :

- Model Name : R19L100-67FTP
- Resolutions : 1280 x 1024
- Brightness : 400 cd/m<sup>2</sup> (typ.) for R19L100-67FTP  
1000 cd/m<sup>2</sup> (optional)  
for R19L100-67FTPHB (High Brightness)
- Contrast Ratio : 1000 : 1 (typ.)
- Viewing Angles : -85~85(H); -80~80(V)
- Max Colors : 16.7M
- Recommended Resolution : 1280 x 1024 @ 60Hz~75Hz
- Signal Input : 15 pin D-Sub
- Power Input : 9~36V DC in, with External AC to DC Adapter(100-240V AC)
- Touch Screen : Projected Capacitive (Optional AR Protection glass)

## Standards and Certifications

- CE
- FCC
- Shock : Compliant with MIL-STD-810G Method 516.6
- Vibration : Compliant with MIL-STD-810G Method 514.6

## Mechanical Specification :

- Mechanical Housing : Panel Mount
- Dimension(W x H x D) : 474mm x 410mm x 111mm
- Gross Weight : 13.5 kg
- Net Weight : 10.0 kg

## Power Specifications :

- Power Input : 9~36V DC input

## Environment Considerations :

- Operating Temperature : -10 deg.C to 60 deg.C
- Operating Humidity : 5 to 95%

## Full IP67 Connectors :

- 1 x IP67 grade Connectors for HDMI (Optional)
- 1 x IP67 grade Connectors for DC 9~36V in
- 1 x IP67 grade Connectors for RS232 Remote Control (Optional)
- 1 x IP67 grade Connectors USB for Touch Screen
- 1 x IP67 grade Connectors for VGA signal in

## Accessories :

- 1 x Driver & Manual CD
- 1 x AC to DC 12V 50W Power Adapter
- 4 x IP67 External Cables (USB / VGA / COM (Optional) / Power)

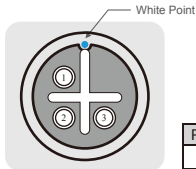
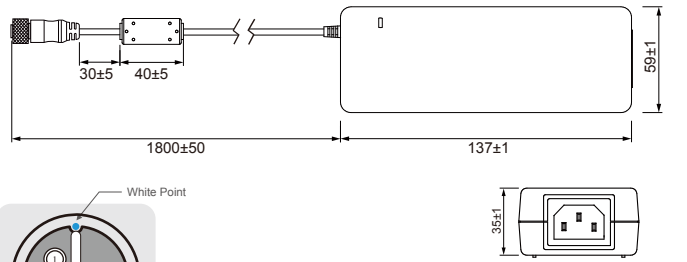
# IP67 G-Win Display

Flat Touch Panel Mount Display

MODEL : R19L100-67FTP

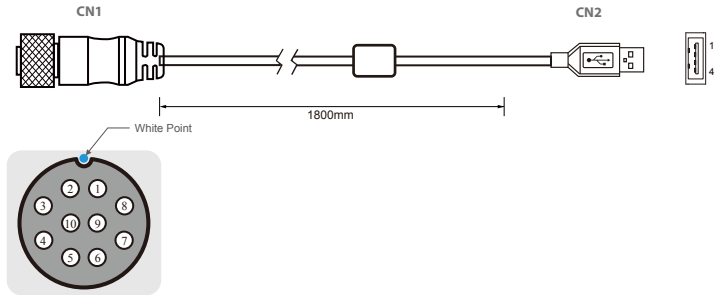
## Pin Definition

### Power Cable



Pin No.	Symbols	Color	Pin No.	Symbols	Color
CN1-1	VIN -	NO ASSIGN	CN2-1	VCC+	Flow Adapter
CN1-2	VIN -	NO ASSIGN	CN2-2	GND	Flow Adapter
CN1-2	VIN -	NO ASSIGN	CN2-3	VCC-	Flow Adapter

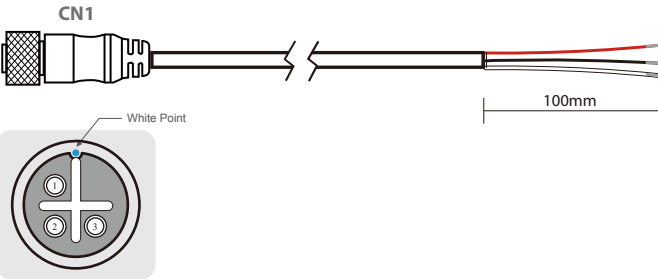
### USB Cable (For Touch)



Pin No.	Symbols	Color	Pin No.	Symbols	Color
CN1-2	VCCRed		CN2-1	VCC	Red
CN1-3	D-White		CN2-2	D-	White
CN1-4	D+	Green	CN2-3	D+	Green
CN1-5	GND	Black	CN2-4	GND	Black
CN1-9	GND	Black	CN2 Shell		Black

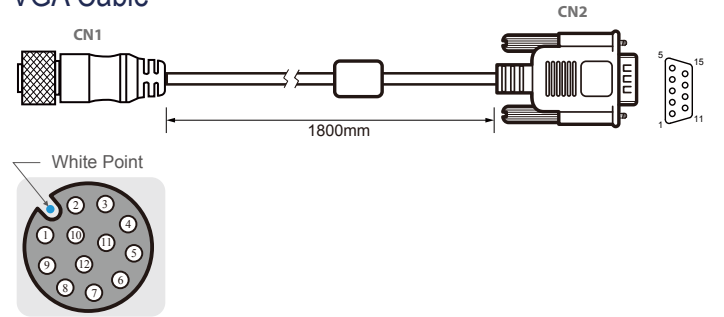
twisted pairs

### Power Cable



Pin No.	Symbols	Color	Pin No.	Symbols	Color
CN1-1	VCC+	Red	CN2-1	VCC+	Red
CN1-2	GND	Black	CN2-2	GND	Black
CN1-3	VCC-	White	CN2-3	VCC-	White

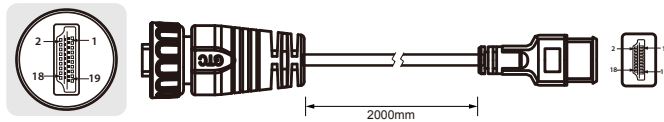
### VGA Cable



Pin No.	Symbols	Color	Pin No.	Symbols	Color
CN1-1	R	Red	CN2-1	R	Red
CN1-6	R-GND	Black	CN2-2	R-GND	Black
CN1-2	G	Green	CN2-3	G	Green
CN1-7	G-GND	Black	CN2-4	G-GND	Black
CN1-3	B	Blue	CN2-5	B	Blue
CN1-8	B-GND	Black	CN2-6	B-GND	Black
CN1-12	SDA	Yellow	CN2-7	SDA	Yellow
CN1-13	HS	Orange	CN2-8	HS	Orange
CN1-14	VS	White	CN2-9	VS	White
CN1-15	SCL	Brown	CN2-10	SCL	Brown

coaxial

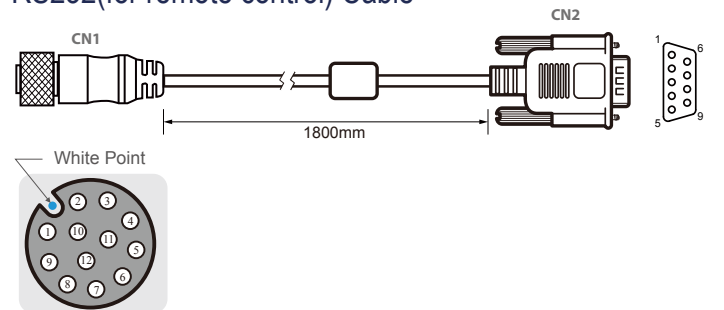
### HDMI Cable



Pin	Color	Pin	Color	Pin	Color
1	Brown	1	Blue	10	Blue
2	Drain	2	Drain	11	Drain
3	White	3	White	12	White
4	Red	4	Black	13	Black
5	Drain	5	Red	14	Red
6	White	6	Orange	15	Orange
7	Green	7	Yellow	16	Yellow
8	Drain	8	Drain	17	Purple
9	White	9	Purple	17	Purple
			White	18	White
			Drain+Braid	18	White
			Shell	19	White
			Shell	19	Drain+Braid
			Shell	19	Shell

Plug Conn. Plug Conn.

### RS232(for remote control) Cable



Pin No.	Symbols	Color	Pin No.	Symbols	Color
CN1-1	DCD-CON2	Green	CN2-1	DCD-CON2	Green
CN1-6	DSR-CON2	Brown	CN2-2	DSR-CON2	Brown
CN1-2	RXD-CON2	Red	CN2-3	RXD-CON2	Red
CN1-7	RTS-CON2	Orange	CN2-4	RTS-CON2	Orange
CN1-3	TXD-CON2	Blue	CN2-5	TXD-CON2	Blue
CN1-8	CTS-CON2	White	CN2-6	CTS-CON2	White
CN1-4	DTR-CON2	Purple	CN2-7	DTR-CON2	Purple
CN1-9	RI-CON2	Yellow	CN2-8	RI-CON2	Yellow
CN1-5	GND-CON2	Black	CN2-9	GND-CON2	Black

